



# CITY OF SACRAMENTO

PROCUREMENT SERVICES DIVISION

FILED

**Bid Number: B071181088**

MAY 30 2007

By The  
Office of The City Clerk

**INVITATION FOR BID  
And  
Contract Specifications**

**ORIGINAL**

**ORIGINAL**

**FOR: Roadway Striper**

**Bids Must Be Received Prior To 2:00 P.M. on May 30, 2007**

**Bids Must Be Submitted To:** City Clerk's Office  
915 "I" Street, First Floor  
Sacramento, CA 95814

Pre-Bid Conference: Not Applicable  
Mandatory:  Yes  
 No

**NAME AND ADDRESS OF BIDDER SUBMITTING THIS BID:**  
(Bidder to complete the following information)

Name of Bidder: RIVERVIEW INTERNATIONAL TRUCKS

Address: 2445 EVERGREEN AVE

City, State, Zip Code: WEST SACRAMENTO, CALIF. 95691

Phone Number: 916-371-3110

Email Address: PATS@RIVERVIEW-TRUCKS.COM

BID

BID NO. B071181088

FOR SERVICES/SUPPLIES: Roadway Striper

To the City of Sacramento:

The undersigned bidder (hereafter referred to as the "bidder" or the "Contractor") submits the attached bid, and certifies as follows: that the only persons or parties interested in this bid as principals are those named herein as bidder; that this bid is made without collusion with any other person, firm, or corporation; that in submitting this bid the bidder has examined all of the Contract Documents identified below; that the bidder proposes and agrees that if this bid is accepted, the bidder will execute and fully perform the contract for which bids are called; that the bidder shall perform all the work and/or furnish all the materials specified in the Contract Documents, in the manner and time therein prescribed, and according to the requirements as therein set forth; and that the bidder shall take in full payment therefor, the prices set forth in the attached Pricing Schedule.

CONTRACT DOCUMENTS

Performance of and payment for the contract for which bids are called shall be subject to all terms and conditions of the Invitation for Bid, the Bid Instructions and Requirements, the Bid, the Pricing Schedule(s), the Items Requiring Bidder Response, the Required Submittals, the General Conditions, and any Addenda, Amendments, Special Provisions, Specifications, Plans or other requirements applicable to performance of the work and/or furnishing the materials specified herein. Such documents, referred to herein as the "Contract Documents," are fully incorporated herein by this reference and are collectively referred to as the "Contract". By submitting this Bid, the Contractor agrees to fully perform each and every provision of the Contract, provided that City awards the Contract to the Contractor, and provided further that City shall have no obligation hereunder unless and until such award is made. Contractor shall not make any changes to this form without City's written approval, and any changes made without such approval shall be void.

To Be Filled Out By Bidder

NAME OF CONTRACTOR: RIVERVIEW INTERNATIONAL TRUCKS  
ADDRESS: 2445 EVERGREEN AVE, WEST SACRAMENTO CA 95691  
PHONE #: 916-371-3110 FAX #: 916-372-8541  
STATE TAX I.D. #: 287153154 FED. TAX I.D. #: 94-2750897  
City of Sacramento Business Operation Tax Certificate #: 83087  
(Contract award will not be processed if Certificate Number is missing)

TYPE OF BUSINESS ENTITY (check one):  Individual/Sole Proprietor  Partnership  
 Corporation  Limited Liability Company  
 Other (please specify: \_\_\_\_\_)

BY: (signature of authorized person) FAT SAWYER  
PRINT NAME: FAT SAWYER  
TITLE: SALES REPRESENTATIVE

Note: All information submitted in or in connection with a bid is submitted under penalty of perjury. The City shall have the right to terminate at any time any contract awarded pursuant to a bid that contains false information.

PRICING SCHEDULE(S)

CITY OF SACRAMENTO  
SACRAMENTO, CALIFORNIA

For furnishing to the City of Sacramento prices in accordance with the provisions and specifications contained herein:

<u>Quantity</u>	<u>Description</u>	<u>Unit Price</u>
1 each	Roadway striper, with lane line and layout capabilities per attached specifications	\$ <u>195,324.87</u>
	<u>INTERNATIONAL CF600</u> Proposed Manufacturer Make/Model	
	<u>M-B COMPANY</u> <u>MB-247P</u>	
	7.75% Sales Tax	\$ <u>15,137.68</u>
	CA Tire Fee	\$ <u>10.50</u>
	<b>Total</b>	\$ <u>210,473.05</u>

Prices are to be all inclusive (i.e. tax, freight, shipping charges, handling, special fees or any other related costs, etc.).

Dealer shall state warranty coverage term (i.e.yrs/miles). 3 YRS-150K ON ENGINE  
SEE ENCLOSED MACHINE WARRANTY

**ITEMS REQUIRING BIDDER RESPONSE**

**NOTE: Bidders must provide responses where indicated to the following items. Failure to provide a response to each of the items in this section may be grounds for rejection of bid.**

**1. SBE/EBE FIVE PERCENT (5%) BID EVALUATION PREFERENCE**

On February 9, 1999, the Sacramento City Council adopted an Emerging and Small Business Development program to provide enhanced opportunities for the participation of small business enterprises (SBEs) and emerging business enterprises (EBEs) in the City's contracting and procurement activities. Any bid or quotation submitted by a firm that is certified as a SBE by the City of Sacramento, or that is certified as an EBE by the City of Sacramento, will receive a five percent (5%) bid evaluation preference for the purpose of determining the lowest responsible bidder. If, after applying the 5% bid evaluation preference, the bid of an SBE/EBE firm receiving such preference is determined to be the lowest responsible bid, the award will be made for the actual amount bid. To receive this bid evaluation preference, a firm must be certified as a SBE or EBE at the time of bid opening. Questions regarding eligibility for SBE/EBE certification should be addressed to the City of Sacramento Office of Small Business Development at (916) 808-6747.

**A. SMALL BUSINESS ENTERPRISE (SBE) CERTIFICATION**

Is the firm submitting the bid certified by the City of Sacramento as a small business enterprise? Check the appropriate block below:

- YES - the firm submitting the bid is certified by the City of Sacramento as a small business enterprise.
- NO - the firm submitting the bid is not certified by the City of Sacramento as a small business enterprise.

If the response to the above is YES, provide the City of Sacramento Certification Number \_\_\_\_\_

**B. EMERGING BUSINESS ENTERPRISE (EBE) CERTIFICATION**

Is the firm submitting the bid certified by the City of Sacramento as an *emerging* business enterprise? Check the appropriate block below:

- YES - the firm submitting the bid is certified by the City of Sacramento as an emerging business enterprise.
- NO - the firm submitting the bid is not certified by the City of Sacramento as an emerging business enterprise.

If the response to the above is YES, provide the City of Sacramento Certification Number: \_\_\_\_\_

**2. LOCAL BUSINESS SALES/USE TAX DEDUCTION**

The Sacramento City Code requires the City to identify those bids that are subject to the City's local sales or use tax under the provisions of Part 1.5 of Division 2 of the California Revenue and Taxation Code and Chapter 3.24 of the Sacramento City Code. The lowest responsible bidder shall be determined after the amount of local sales or use tax that would be received by the City is deducted from such bids. The current rate at which such local sales or use tax is received by the City is one percent (1%). Therefore, in evaluating bids to determine the lowest responsible bidder, bids that are subject to this tax at the time of bid opening shall have an amount equal to one percent (1%) of the taxable total deducted from the bids. This deduction shall be in addition to the application of any bid price preferences or other deductions authorized by the City Code. Such deductions shall be made for bid evaluation purposes only. Contract awards shall be made at the actual bid amount.

In order to identify those bids that are subject to the City's local sales or use tax, all bidders shall respond to the following:

1) Does the bidder have fixed offices or locally taxable distribution points within the boundaries of the City of Sacramento?  Yes; or  No

2) If the answer to Question #1 is "Yes":

a) Provide the address of the bidder's fixed offices or locally taxable distribution point(s):

RIVERVIEW INTERNATIONAL TRUCKS, 2445 EVERGREEN AVE W. SACTO, 95661

b) Provide the bidder's current, valid City of Sacramento Business Operations Tax Certificate Number:

83087

**3. DELIVERY GUARANTEE**

Contractor guarantees delivery within 700 days after receipt of order (ARO).

**4. PAYMENT DISCOUNT**

Will you offer a prompt payment discount? Yes [ ] or No [x] (Net 30 days)

If Yes, the Payment Discount is \_\_\_\_\_% for payment within \_\_\_\_\_ calendar days, which will be computed from the date delivery is made and is accepted by the City, or the date a proper invoice is received, whichever is later.

PAYMENT DISCOUNTS SHALL BE CONSIDERED IN AWARDING THE CONTRACT AS SET FORTH IN THE "BID INSTRUCTIONS AND REQUIREMENTS", PARAGRAPH 11 (ENTITLED "PAYMENT DISCOUNTS").

**5. MANUFACTURER'S SPECIFICATION**

Complete specification, published literature and photos or illustrations of unit(s) proposed, shall be furnished with the bid.

**6. NEAREST FACTORY AUTHORIZED SERVICE CENTER**

Page 25, Warranty, Item (d), Bidders shall list the nearest factory authorized service center responsible for service:

RIVERVIEW INT'L TRUCKS, WEST SACTO, CA 95691 MB COMPANY INC  
2490 EDWARD AVE. SE - SALEM, OR 97302  
800-253-2909

**7. AIRLESS PAINT PUMP**

Page 30, Item 1.3, Graco or proposed equal: DURA-FLO 2400 PUMPS

**8. HYDRAULIC SUPPLY SYSTEM**

Page 31, Item 1.5, Saur Danfoss Series 45 axial or proposed equal: SAUR DANFOSS SERIES 45

**9. COMPRESSOR**

Page 31, Item 1.6, QTS 3 Quincy or proposed equal: QTS-3

**10. LASER GUIDANCE SYSTEM**

Page 35, Item 1.16 Laser System GL-3000-P or proposed equal: LASERLINER GL3000 PM

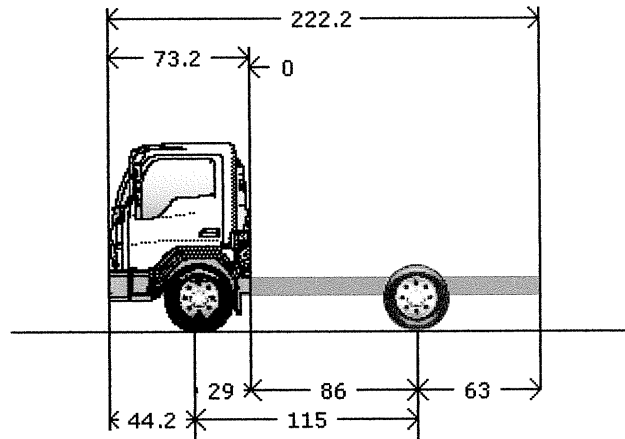
**11. EQUAL BENEFITS ORDINANCE**

Exhibit 1

**Prepared For:**  
 CITY OF SACRAMENTO  
 BILL TIERCE  
 5730 24th. Street Bldg.  
 Sacramento, CA 95822-  
 (916)433 - 2027  
 Reference ID: N/A

**Presented By:**  
 RIVERVIEW INTL TRKS, INC  
 Pat Sawyer  
 P.O. BOX 716  
 WEST SACRAMENTO CA 95691  
 916-371-3110

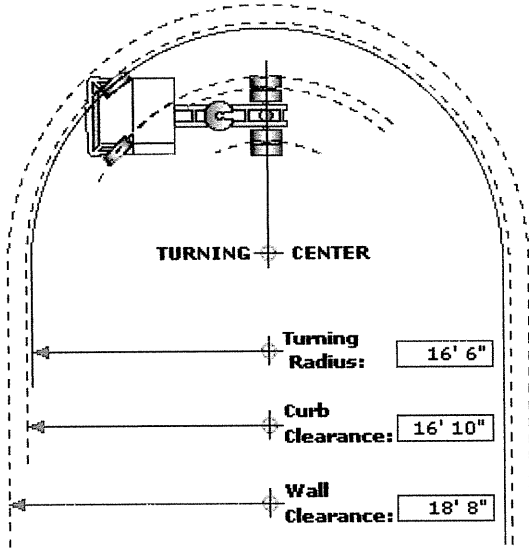
Thank you for the opportunity to provide you with the following quotation on a new International truck. I am sure the following detailed specification will meet your operational requirements, and I look forward to serving your business needs.



**CF 600 WITH M-B SYSTEM**

**Model Profile**  
**2008 CF600 4X2 (KL055)**

<b>APPLICATION:</b>	Stake Flat
<b>MISSION:</b>	Requested GVWR: 19500. Calc. GVWR: 19500 Calc. Start / Grade Ability: 0% / 0% @ 0 MPH Calc. Geared Speed: N/A
<b>DIMENSION:</b>	Wheelbase: 115.0, CA: 86.0, Axle to Frame: 63.0
<b>ENGINE, DIESEL:</b>	{International MaxxForce 5} 50 State, 200 HP @ 2700 RPM, 440 lb-ft Torque @ 1800 RPM, 3000 RPM Governed Speed, With 2007 Emission Standards
<b>TRANSMISSION, AUTOMATIC:</b>	5-Speed, With Overdrive, With PTO Gear and Less Retarder
<b>CLUTCH:</b>	Omit Item (Clutch & Control)
<b>AXLE, FRONT NON-DRIVING:</b>	{Dana Spicer D700-N} I-Beam Type, 7,000-lb Capacity
<b>AXLE, REAR, SINGLE:</b>	{Dana Spicer S110} Single Reduction, With Offset Housing; 13,500-lb Capacity; With 160 Wheel Ends Gear Ratio: 5.38
<b>CAB:</b>	LCF
<b>TIRE, FRONT:</b>	(2) 225/70R19.5 RT500 (DOUBLE COIN) 635 rev/mile, load range F, 12 ply
<b>TIRE, REAR:</b>	(4) 225/70R19.5 RT500 (DOUBLE COIN) 635 rev/mile, load range F, 12 ply
<b>SUSPENSION, RR, SPRING, SINGLE:</b>	Vari-Rate; 13,500-lb Capacity, With 1500 lb Auxiliary Rubber Spring
<b>PAINT:</b>	Cab Schematic 100VK Location 1: 9219, Winter White Chassis Schematic N/A



Series: CF  
 Model: KL055  
 Description: CF600 4X2  
 Model Year: 2008

**Calculation Factors**

Wheelbase: 115  
 Front Axle: 0002ADZ  
 Description: AXLE, FRONT NON-DRIVING, {Dana Spicer D700-N} I-Beam Type, 7,000-lb Capacity  
 Front Wheel: 0027DAU  
 Description: WHEELS, FRONT, DISC; 19.5" Painted Steel, 10-Stud (225mm BC) Hub-Piloted, Flanged Nut, Metric Mount, 6.00 DC Rims; With Steel Hubs  
 Front Tire: 07709446502  
 Description: TIRES, 225/70R19.5 RT500 (DOUBLE COIN) 635 rev/mile, load range F, 12 ply  
 Steering Gear: 0005PRN  
 Description: STEERING GEAR, {TRW (Ross) TAS37} Power

**Turning Radius Statistics**

General Information

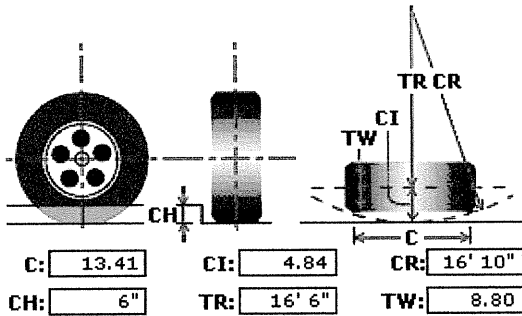
Inside Turn Angle: 53 Degrees  
 Radial Overhang: 25.9

Axle Information

KingPin Inclination: 9 Degrees  
 KingPin Center: 62.71

**Turning Radius - Curb View**

C - Curb Contact Length: 13.41  
 CI - Curb Clearance Increment: 4.84  
 CR - Curb Clearance Radius: 16'10"  
 CH - Curb Height: 6"  
 TR - Turning Radius: 16'6"  
 TW - Tire Width: 8.80



\* All Measurements are in inches, unless otherwise specified.

This information is based on engineering information available at this time. Actual figures may vary. International Truck and Engine Corporation cannot accept liability for consequences due to this variance.

<u>Code</u>	<u>Description</u>	<u>F/R Wt</u> (lb)	<u>Tot Wt</u> (lb)
KL05500	Base Chassis, Model CF600 4X2 with 115.0 Wheelbase, 86.0 CA, and 63.0 Axle to Frame.	4146/2212	6358
1CCB	FRAME RAILS High Strength Low Alloy Steel (50,000 PSI Yield); 9.000" x 3.00" x 0.250" (228.60mm x 76.20mm x 6.35mm); 115" WB, 63" AF, 214.89" (5458.42mm) Maximum OAL; Limited to 19,500 lb Maximum GVWR	0/0	0
1LNU	BUMPER, FRONT Full Width, Plastic, Molded Argent	0/0	0
2ADZ	AXLE, FRONT NON-DRIVING {Dana Spicer D700-N} I-Beam Type, 7,000-lb Capacity	0/0	0
3AGN	SUSPENSION, FRONT, SPRING Taper Leaf, Shackle Type; 7,000-lb Capacity; With Shock Absorbers	0/0	0
	<u>Includes</u> : SPRING PINS Rubber Bushings, Maintenance-Free : STABILIZER BAR, FRONT		
4086	BRAKE SYSTEM, HYDRAULIC Split System, With Three Channel ABS	0/0	0
4GAX	BRAKE, PARKING {TRW} Drum-in-Hat Type	0/0	0
	<u>Includes</u> : BRAKE LEVER, PARKING Located Right of Driver : BRAKE WARNING INDICATOR Light for Engaged Parking Brake		
4JNH	BRAKES, FRONT, HYDRAULIC DISC {TRW} 15.35" x 1.54" Rotors; Dual 2.36" (60mm) Diam. Pistons	0/0	0
4NNH	BRAKES, REAR, HYDRAULIC DISC {TRW} 15.35" x 1.54" Rotors; Dual 2.36" (60mm) Diam. Pistons	0/0	0
5710	STEERING COLUMN Tilting and Telescoping	0/0	0
5CAV	STEERING WHEEL 2-Spoke; 16" Dia., Grey	0/0	0
5PRN	STEERING GEAR {TRW (Ross) TAS37} Power	0/0	0
7ADR	EXHAUST SYSTEM Single, Horizontal, Stainless Steel Muffler With Internal Catalytic Converter; Aluminized Steel Short Tail Pipe, for 2004 Emissions Standards with International V6 Engines Frame Mounted Right Side	0/0	0
8000	ELECTRICAL SYSTEM 12-Volt, Standard Equipment	0/0	0
	<u>Includes</u> : BODY BUILDER WIRING Back of Cab, Less Connector : CIGAR LIGHTER Instrument Panel Mounted : DATA LINK CONNECTOR For Vehicle Programming and Diagnostics In Cab : FOG LIGHTS : FUSES, ELECTRICAL SAE Blade-Type and "A" Type : HORN, ELECTRIC Dual : PARKING LIGHT Integral with Front Turn Signal and Rear Tail Light : STARTER SWITCH Electric, Key Operated : STOP, TURN, TAIL & B/U LIGHTS Dual, Rear, Combination with Reflector : TURN SIGNAL SWITCH Self-Cancelling, Headlight Dimmer (with Flash-To-Pass Feature) : TURN SIGNALS, FRONT Includes Park, Turn, Side Marker and Reflex Reflector : WINDSHIELD WIPER SWITCH 2-Speed with Intermittent Feature with Windshield Washers : WINDSHIELD WIPERS Single Motor, Electric, Cowl Mounted : WIRING, CHASSIS Color Coded		

<u>Code</u>	<u>Description</u>	<u>F/R Wt</u> (lb)	<u>Tot Wt</u> (lb)
8GEV	ALTERNATOR {Visteon} 12 Volt 135 Amp. Capacity; Pad Mounted	0/0	0
8HAR	BODY BUILDER WIRING Back of Cab; With Ignition, Battery, Ground, Tail Light, Backup, Provisions for Trailer Connections with Combined Stop/Turn Taillight Wiring and Electric Trailer Brake Control; Less Trailer Socket; Customer Access Circuit With Blunt Cut Wires Located Behind the Cab on Left Frame Rail	0/0	0
8MRG	BATTERY SYSTEM {Delphi W900D} Maintenance-Free, (2) 12-Volt 1900CCA Total	-2/-1	-3
8RGX	RADIO {Delphi XTA-2000} AM/FM, Electronically Tuned, Stereo, With Clock  <u>Includes</u> : SPEAKERS IN CAB (2) Coaxial, One in Each Door	0/0	0
8WNH	RUNNING LIGHT (2) Daytime	0/0	0
8WWU	STARTING MOTOR {Visteon V110} 12-Volt; less Thermal Over-Crank Protection	0/0	0
9HAD	GRILLE Chrome	0/0	0
10060	PAINT SCHEMATIC, PT-1 Single Color, Design 100  <u>Includes</u> : PAINT SCHEMATIC ID LETTERS "VK"	0/0	0
10761	PAINT TYPE Base Coat/Clear Coat, 1-2 Tone	0/0	0
11001	CLUTCH Omit Item (Clutch & Control)	0/0	0
12705	DIESEL, ANTI-GEL ADDITIVE Gold Eagle #2106	0/0	0
12NTM	ENGINE, DIESEL {International MaxxForce 5} 50 State, 200 HP @ 2700 RPM, 440 lb-ft Torque @ 1800 RPM, 3000 RPM Governed Speed, With 2007 Emission Standards  <u>Includes</u> : AIR CLEANER With Single Primary Element : CRUISE CONTROL Switches located on Instrument Panel : ENGINE OIL DRAIN PLUG Magnetic : FUEL FILTER Engine Mounted : GAUGE, AIR CLEANER RESTRICTION Air Cleaner Mounted : OIL FILTER, ENGINE Drop-In Cartridge Type	0/0	0
12THU	FAN DRIVE {Borg-Warner 585 Series} Viscous Type; Air Sensing  <u>Includes</u> : FAN Nylon	0/0	0
12UAA	RADIATOR {Modine} Aluminum, 2 Row, Down Flow, 708 SqIn, Louvered, With 381 SqIn Charge Air Cooler	0/0	0
12VVT	THROTTLE, HAND CONTROL Engine Speed Control for PTO; Electronic, Stationary, Variable Speed; Dash Mounted	0/0	0
12VZA	ENGINE CONTROL, REMOTE MOUNTED Provision for; Includes Wiring for Body Builder Installation of PTO Controls; With Ignition Switch Control for International post 2007 Emissions Electronic Engines	0/0	0
13ALA	TRANSMISSION, AUTOMATIC 5-Speed, With Overdrive, With PTO Gear and Less Retarder  <u>Includes</u> : NOTE: Includes Tow/Haul Mode	0/0	0

<u>Code</u>	<u>Description</u>	<u>F/R Wt</u> (lb)	<u>Tot Wt</u> (lb)
	: PTO DRIVE Gear 121 Teeth, 17.989 Degree Pressure Angle, 14.2 T/In Pitch Spur Gear Type : TRANSMISSION OIL PAN Magnet in Oil Pan and Oil Filter; OIL FILTER Mounted on Transmission		
13WGU	OIL COOLER, AUTO TRANSMISSION {Modine} Water to Oil, for FORD Transmission	0/0	0
14ACN	AXLE, REAR, SINGLE {Dana Spicer S110} Single Reduction, With Offset Housing; 13,500-lb Capacity; With 160 Wheel Ends  <u>Includes</u> : REAR AXLE DRAIN PLUG (1) Magnetic	0/0	0
14VAP	SUSPENSION, RR, SPRING, SINGLE Vari-Rate; 13,500-lb Capacity, With 1500 lb Auxiliary Rubber Spring	0/0	0
14WLA	AXLE, REAR, LUBE {EmGard 75W-90} Synthetic Oil; 1 thru 29.99 Pints	0/0	0
15SGZ	FUEL TANK Top Draw; 13" Depth, Rectangular Steel; 35 U.S. Gal., 132 L Total Capacity, Mounted Left Side  <u>Includes</u> : FUEL LINES Nylon Tubing With O-Ring Snap-On Quick-Connect Fittings at Both Ends	85/-108	-23
16AAK	CAB LCF  <u>Includes</u> : ARM REST (2) Molded Plastic, Light Hearthstone Gray; One Each Door : CLEARANCE/MARKER LIGHTS (5) Roof Mounted : FLOOR COVERING Rubber, Black : GLASS, ALL WINDOWS Tinted : GRAB HANDLE, CAB INTERIOR (2) "A" Pillar Mounted, One Each Side : SEAT BELT (3) 3-Point Shoulder Belt with Adjustable D-Ring for Driver Seat, 3-Point Shoulder Belt for Outer Passenger Position, One Lap Belt for Center Passenger Position : STEP (2) One Per Door	0/0	0
16HBA	GAUGE CLUSTER English With English Electronic Speedometer  <u>Includes</u> : GAUGE CLUSTER (4) Water Temperature (Electronic), Fuel (Electronic), Tachometer (Electronic), Speedometer : ODOMETER DISPLAY, Miles, Trip Miles : WARNING SYSTEM Low Fuel, High Engine Coolant Temp, and Low Battery Voltage (Visual)	0/0	0
16LJU	SEAT, DRIVER Non Suspension, High Back With Integral Headrest, Vinyl Covered, Folding Back Without Armrest	0/0	0
16PPR	SEAT, TWO-MAN PASSENGER Non-Suspension, High Back With Integral Head Rest, Vinyl Covered, Mid Seat Back With Integral Head Rest, Individual Folding Backs With Tray on Center Seat Back, Less Armrest	0/0	0
16SEU	MIRRORS (2) {Lang Mekra} Rectangular, 6" X 11.5", Brackets Breakaway Type, With Rectangular 8" X 6" Convex Both Sides	0/0	0
16VDV	AIR CONDITIONER {Modine} With Integral Heater & Defroster for 2007 emissions	0/0	0
16WJU	WINDOW, POWER (2) And Power Door Locks, Left and Right Doors  <u>Includes</u>	5/0	5

<u>Code</u>	<u>Description</u>	<u>F/R Wt</u> (lb)	<u>Tot Wt</u> (lb)
	: PLEASE NOTE: Includes Express Down Feature		
16WRZ	CAB INTERIOR TRIM Premium	0/0	0
	<u>Includes</u> : "A" PILLAR COVER Molded Plastic, Light Hearthstone Gray : CAB INTERIOR TRIM PANELS Molded Plastic, Light Hearthstone Gray, Mid-Height : DOME LIGHT, CAB Door Activated : DOOR TRIM PANELS Molded Plastic, Light Hearthstone Gray; Driver and Passenger Doors : HEADLINER Molded Cloth, Light Hearthstone Gray : INSTRUMENT PANEL TRIM Molded Plastic, Dark Hearthstone Gray with Black Instrument Cluster and Center Section, Pull-Out Two-Cup Holder and Pull-Out Ash Trays (2) : STORAGE POCKET, DOOR (2) Molded Plastic, Light Hearthstone Gray, Full Length; Driver and Passenger Doors : STORAGE, INTERIOR Overhead Storage, Molded Plastic with Two Shelves, One Each Side, Light Hearthstone Gray : SUN VISOR (2) Padded Vinyl with Driver Side Toll Ticket Strap; Light Hearthstone Gray		
27DAU	WHEELS, FRONT DISC; 19.5" Painted Steel, 10-Stud (225mm BC) Hub-Piloted, Flanged Nut, Metric Mount, 6.00 DC Rims; With Steel Hubs	0/0	0
	<u>Includes</u> : PAINT IDENTITY, FRONT WHEELS White : WHEEL SEALS, FRONT Grease Lubricated, Includes Wheel Bearings		
28DAU	WHEELS, REAR DISC; 19.5" Painted Steel, 10-Stud (225mm BC) Hub-Piloted, Flanged Nut, Metric Mount, 6.00 DC Rims; With Steel Hubs	0/0	0
	<u>Includes</u> : PAINT IDENTITY, REAR WHEELS White : WHEEL SEALS, REAR Oil Lubricated, Includes Wheel Bearings		
29AAU	TIRE VALVE CAP {Alligaro V2B} Flo-Thru Design	0/0	0
29SAE	WHEEL SEALS, FRONT {Chicago Rawhide Nitrile} for Oil Lubricated Wheel Bearings	0/0	0
7709446502	(2) TIRE,FRONT 225/70R19.5 RT500 (DOUBLE COIN) 635 rev/mile, load range F, 12 ply	10/0	10
7709446502	(4) TIRE,REAR 225/70R19.5 RT500 (DOUBLE COIN) 635 rev/mile, load range F, 12 ply	0/20	20
	<b>Total Component Weight:</b>	<b>4244/2123</b>	<b>6367</b>
1	A M-B COMPANIES, INC. UNIT. MODEL # MB-247P. MEETS ALL EQUIPMENT SPECIFICATIONS FOR BID # B071181088.	0/0	0
	<b>Total Body Allied:</b>	<b>0/0</b>	<b>0</b>
	STEEL SURCHARGE CF	0/0	0
	EMISSION CHARGE FOR 2007 ENGINES	0/0	0
	2 COPIES OF REPAIR MANUALS ON CHASSIS & 2 COPIES OF PARTS MANUALS. CITY TO CHOOSE BETWEEN CD ROOM & APPLE.	0/0	0
	1/2 TANK OF FUEL PER BID SPECIFICATION	0/0	0

<u>Code</u>	<u>Description</u>	<u>F/R Wt</u> (lb)	<u>Tot Wt</u> (lb)
	<b>Total Goods Purchased:</b>	<b>0/0</b>	<b>0</b>

The weight calculations included in this proposal are an estimate of future vehicle weight. The actual weight as manufactured may be different from the estimated weight. International Truck and Engine Corp. shall not be liable for any consequences resulting from any differences between the estimated weight of a vehicle and the actual weight.

DATE BID OPENED 5-30-07  
EMPLOYEE INITIALS V.M.  
MARK ONE BOX FOR EACH ITEM ONLY

**BID SECURITY**  
 NONE REQUIRED  
 PROPERLY SIGNED

**BID DEPOSIT TYPE**  
 BID BOND  
 CALIF. BANK CASHIER'S CHECK  
 CERTIFIED CHECK  
 CASH  
 CALIF. BANK MONEY ORDER

**AFTER AWARD OF BID**  
 SECURITY RETURNED  
 SECURITY ACCEPTED

EMPLOYEE INITIALS \_\_\_\_\_  
DATE \_\_\_\_\_

**(USA DOLLAR)**

<u>Description</u>		<u>Price</u>
Factory List Prices:		
Product Items	\$39,106.00	
Service Items	\$0.00	
Total Factory List Price Including Options:		\$39,106.00
Total Goods Purchased:		\$5,750.00
Freight Charge	\$1,405.00	
Total Freight:		\$1,405.00
Total Factory List Price Including Freight:		\$46,261.00
Less Customer Allowance:		(\$5,058.00)
Total Vehicle Price:		\$41,203.00
Total Body/Allied Equipment:		\$154,121.87
Total Sale Price:		\$195,324.87
Total Per Vehicle Sales Price:		\$195,324.87
Total Net Sales Excluding Taxes:		\$195,324.87
CALIFORNIA SALES TAX—CITY OF SACRAMENTO	\$15,137.68	
Total Taxes:		\$15,137.68
Net Sales Price:		\$210,462.55

Please feel free to contact me regarding these specifications should your interests or needs change. I am confident you will be pleased with the quality and service of an International vehicle.

**Approved by Seller:**

**Accepted by Purchaser:**

\_\_\_\_\_  
Official Title and Date

\_\_\_\_\_  
Firm or Business Name

  
\_\_\_\_\_  
Authorized Signature

\_\_\_\_\_  
Authorized Signature and Date

**This proposal is not binding upon the seller without  
Seller's Authorized Signature**

\_\_\_\_\_  
Official Title and Date

# EXHIBIT 1

Attachment A

## DECLARATION OF COMPLIANCE Equal Benefits Ordinance

RIVERVIEW INTERNATIONAL TRUCKS, INC  
Name of Contractor

2445 EVERGREEN AVE., WEST SACRAMENTO, CO. 95691  
Address

The above named contractor ("Contractor") hereby declares and agrees as follows:

1. I have read and understand the Non-Discrimination In Employee Benefits By City Contractors Ordinance ("Ordinance") provided to me by the City of Sacramento ("City") in connection with the City's request for proposals or other solicitations for the performance of services, or for the provision of commodities, under a City contract or agreement ("Contract").
2. As a condition of receiving the City Contract, I agree to fully comply with the requirements of the Ordinance, codified as Chapter 3. 54 of the Sacramento City Code.
3. If the face amount of this City Contract is less than \$25,000, as a condition of receiving this Contract, I agree to notify the City in writing if the aggregate value of the City Contract referenced herein, after changes, modifications, or similar actions, equals or exceeds \$25,000 in total value.
4. I understand, to the extent that such benefits are not preempted or prohibited by federal or state law, employee benefits covered by the Ordinance, are any of the following:
  - a. Bereavement Leave
  - b. Disability, life, and other types of insurance
  - c. Family medical leave
  - d. Health benefits
  - e. Membership or membership discounts
  - f. Moving expenses
  - g. Pension and retirement benefits
  - h. Vacation
  - i. Travel benefits
  - j. Any other benefit offered to employees

I agree that should I offer any of the above listed employee benefits, that I will offer those benefits, without discrimination between employees with spouses and employees with domestic partners, and without discrimination between the spouses and domestic partners of such employees.

# EXHIBIT 1

## Attachment A

### DECLARATION OF COMPLIANCE Equal Benefits Ordinance

5. I understand that I will not be considered to be discriminating in the provision or application of employee benefits under the following conditions or circumstances:

- a. In the event that the actual cost of providing a benefit to a domestic partner or spouse, exceeds the cost of providing the same benefit to a spouse or domestic partner of an employee, I will not be required to provide the benefit, nor shall it be deemed discriminatory, if I require the employee to pay the monetary difference in order to provide the benefit to the domestic partner or to the spouse.
- b. In the event I am unable to provide a certain benefit, despite taking reasonable measures to do so, if I provide the employee with a cash equivalent, I will not be deemed to be discriminating in the application of that benefit.
- c. If I provide employee benefits neither to employee's spouses nor to employee's domestic partners.
- d. If I provide employee benefits to employees on a basis unrelated to marital or domestic partner status.
- e. If I submit, to the Program Coordinator, written evidence of making reasonable efforts to end discrimination in employee benefits by implementing policies which are to be enacted before the first effective date after the first open enrollment process following the date the Contract is executed with the City.

I understand that any delay in the implementation of such policies may not exceed one (1) year from the date the Contract is executed with the City, and applies only to those employee benefits for which an open enrollment process is applicable.

- f. Until administrative steps can be taken to incorporate, in the infrastructure, nondiscrimination in employee benefits

The time allotted for these administrative steps will apply only to those employee benefits for which administrative steps are necessary and may not exceed three (3) months from the date the Contract is executed with the City.

- g. Until the expiration of a current collective bargaining agreement(s) where, in fact, employee benefits are governed by a collective bargaining agreement(s).
- h. I take all reasonable measures to end discrimination in employee benefits by either requesting the union(s) involved agree to reopen the agreement(s) in order for me to take whatever steps are necessary to end discrimination in employee benefits or by my ending discrimination in employee benefits without reopening the collective bargaining agreement(s).

# EXHIBIT 1

## Attachment A

### DECLARATION OF COMPLIANCE Equal Benefits Ordinance

- i. In the event I cannot end discrimination in employee benefits despite taking all reasonable measures to do so, I provide a cash equivalent to eligible employees for whom employee benefits (as listed previously), are not available.

Unless otherwise authorized in writing by the City Manager, I understand this cash equivalent must begin at the time the union(s) refuse to allow the collective bargaining agreement(s) to be reopened or no longer than three (3) months from the date the Contract is executed with the City.

6. I understand that failure to comply with the provisions of Section 5. (a) through 4. (i), above, will subject me to possible suspension and/or termination of this Contract for cause; repayment of any or all of the Contract amount disbursed by the City; debarment for future contracts until all penalties and restitution have been paid in full; deemed ineligible for future contracts for up to two (2) years; the imposition of a penalty, payable to the City, in the sum of \$50.00 for each employee, for each calendar day during which the employee was discriminated against in violation of the provisions of the Ordinance.
7. I understand and do hereby agree to provide each current employee and, within ten (10) days of hire, each new employee, of their rights under the Ordinance. I further agree to maintain a copy of each such letter provided, in an appropriate file for possible inspection by an authorized representative of the City. I also agree to prominently display a poster informing each employee of these rights.
8. I understand that I have the right to request an exemption to the benefit provisions of the Ordinance when such a request is submitted to the Procurement Services Division, in writing with sufficient justification for resolution, prior to contract award.

I further understand that the City may request a waiver or exemption to the provisions or requirements of the Ordinance, when only one contractor is available to enter into a contract or agreement to occupy and use City property on terms and conditions established by the City; when sole source conditions exist for goods, services, public project or improvements and related construction services; when there are no responsive bidders to the EBO requirements and the contract is for essential goods or services; when emergency conditions with public health and safety implications exist; or when the contract is for specialized legal services if in the best interest of the City.

9. In consideration of the foregoing, I shall defend, indemnify and hold harmless, the City, its officers and employees, against any claims, actions, damages, costs (including reasonable attorney fees), or other liabilities of any kind arising from any violation of the City's Equal Benefits Requirements or of the Ordinance by me.

**EXHIBIT 1**

Attachment A

**DECLARATION OF COMPLIANCE  
Equal Benefits Ordinance**

I declare under penalty of perjury under the laws of the State of California that the foregoing is true and correct, and that I am authorized to bind the Contractor to the provisions of this Declaration.

  
\_\_\_\_\_  
Signature of Authorized Representative

5/29/07  
\_\_\_\_\_  
Date

LYLE BASSETT  
\_\_\_\_\_  
Print Name

PRESIDENT  
\_\_\_\_\_  
Title

# EXHIBIT 1

## Attachment B



### YOUR RIGHTS UNDER THE CITY OF SACRAMENTO'S NON-DISCRIMINATION IN EMPLOYEE BENEFITS BY CITY CONTRACTORS ORDINANCE

On ..... (date), your employer (the "Employer") entered into a contract with the City of Sacramento (the "City") for ..... (contract details), and as a condition of that contract, agreed to abide by the requirements of the City's Non-Discrimination In Employee Benefits By City Contractors Ordinance (Sacramento City Code Section 3.54).

The Ordinance does not require the Employer to provide employee benefits. The Ordinance does require that if certain employee benefits are provided by the Employer, that those benefits be provided without discrimination between employees with spouses and employees with domestic partners, and without discrimination between the spouse or domestic partner of employees.

The Ordinance covers any employee working on the specific contract referenced above, but only for the period of time while those employees are actually working on this specific contract.

The included employee benefits are:

- |   |   |
|---|---|
| - Bereavement leave                             | - Moving expenses                       |
| - Disability, life and other types of insurance | - Pension and retirement benefits       |
| - Family medical leave                          | - Vacation                              |
| - Health benefits                               | - Travel benefits                       |
| - Membership or membership discounts            | - Any other benefits given to employees |

(Employee Benefits does not include benefits that may be preempted by federal or state law.)

If you feel you have been discriminated or retaliated against by your employer in the terms and conditions of your application for employment, or in your employment, or in the application of these employee benefits, because of your status as an applicant or as an employee protected by the Ordinance, or because you reported a violation of the Ordinance, and after having exhausted all remedies with your employer,

# EXHIBIT 1

## Attachment B

### You May . . .

- Submit a written complaint to the City of Sacramento, Contract Services Unit, containing the details of the alleged violation. The address is:  
  
City of Sacramento  
Contract Services Unit  
915 I St., 2<sup>nd</sup> Floor  
Sacramento, CA 95814
  
- Bring an action in the appropriate division of the Superior Court of the State of California against the Employer and obtain the following remedies:
  - Reinstatement, injunctive relief, compensatory damages and punitive damages
  
  - Reasonable attorney's fees and costs

# EXHIBIT 1

## Attachment C



### **YOUR RIGHTS UNDER THE CITY OF SACRAMENTO'S NON-DISCRIMINATION IN EMPLOYEE BENEFITS BY CITY CONTRACTORS ORDINANCE**

If your employer provides employee benefits, they must be provided to those employees working on a City of Sacramento contract without discriminating between employees with spouses and employees with domestic partners.

The included employee benefits are:

- Bereavement leave
- Disability, life and other types of insurance
- Family medical leave
- Health benefits
- Membership or membership discounts
- Moving expenses
- Pension and retirement benefits
- Vacation
- Travel benefits
- Any other benefits given to employees

If you feel you have been discriminated against by your employer . . .

#### **You May . . .**

- Submit a written complaint to the City of Sacramento, Contract Services Unit, containing the details of the alleged violation. The address is:

City of Sacramento  
Contract Services Unit  
915 I St., 2<sup>nd</sup> Floor  
Sacramento, CA 95814

- Bring an action in the appropriate division of the Superior Court of the State of California against the employer and obtain reinstatement, injunctive relief, compensatory damages, punitive damages and reasonable attorney's fees and costs.

#### **Discrimination and Retaliation Prohibited.**

If you feel you have been discriminated or retaliated against by your employer in the terms and conditions of your application for employment, or in your employment, because of your status as an applicant or as an employee protected by the Ordinance, or because you reported a violation of this Ordinance . . .

#### **You May Also . . .**

Submit a written complaint to the City of Sacramento, Contract Services Unit, at the same address, containing the details of the alleged violation.



# M-B Companies, Inc.

---

**Attachments Division, Brush Replacements, Administration**  
1615 Wisconsin Avenue  
PO Box 200  
New Holstein, WI 53061  
Phone: 800-558-5800  
Fax: 920-898-4588

**Pavement Marking Division**  
79 Montgomery Street  
Montgomery, PA 17752  
Phone: 888-323-2900  
Fax: 570-547-1629

**Pavement Marking Division**  
2490 Ewald Avenue SE  
Salem, OR 97302  
Phone: 800-253-2909  
Fax: 503-370-4389

**Airport Snow Removal Products**  
1200 Park Street  
Chilton, WI 53014  
Phone: 800-558-5800  
Fax: 920-849-2629

May 25, 2007

River View International  
Attn: Pat Sawyer

Re: Bid #B071181088 (City of Sacramento)

Total unit price without chassis, but  
including freight, warranty and in-service: **\$154,121.87**

Notes you may need for the bid:

\*Model number:  
MB-247P

\*Factory Authorized Service Center:  
M-B Companies Inc.  
2490 Ewald Ave. SE  
Salem, OR 97302  
800-253-2909

\*Federal Tax ID #:  
39-1208304

\*Delivery:  
120 days ARO

\*All equipment meets the City of Sacramento specification\*

We've included copies of our warranty and product literature to go with the bid package and our standard cover letter that you may want to change. Give us a call if you should need anything further and we can email it over.



# M-B Companies, Inc.

---

**Attachments Division, Brush Replacements, Administration**  
1615 Wisconsin Avenue  
PO Box 200  
New Holstein, WI 53061  
Phone: 800-558-5800  
Fax: 920-898-4588

**Pavement Marking Division**  
79 Montgomery Street  
Montgomery, PA 17752  
Phone: 888-323-2900  
Fax: 570-547-1629

**Pavement Marking Division**  
2490 Ewald Avenue SE  
Salem, OR 97302  
Phone: 800-253-2909  
Fax: 503-370-4389

**Airport Snow Removal Products**  
1200 Park Street  
Chilton, WI 53014  
Phone: 800-558-5800  
Fax: 920-849-2629

May 25, 2007

City of Sacramento  
California

Re: Bid #B071181088

Thank you for the opportunity to submit a bid for your "Roadway Stripper", #B071181088. Enclosed is our completed sealed bid. The literature is for reference purposes only pertaining to your specification. The equipment will be built to your specification unless noted.

If you should have any further questions, please feel free to contact us at 800-253-2909.

Sincerely,

Chuck Wolf  
Operations Manager  
M-B Companies Inc.



## M-B Companies, Inc.

**Attachments Division,  
Brush Replacements,  
Administration**  
1615 Wisconsin Avenue  
P.O. Box 200  
New Holstein, WI 53061  
Phone: 800-558-5800  
Fax: 920-898-4588

**Pavement Marking Division**  
79 Montgomery Street  
Montgomery, PA 17752  
Phone: 888-323-2900  
Fax: 570-547-1629

**Airport Snow Removal Products**  
1200 Park Street  
Chilton, WI 53014  
Phone: 800-558-5800  
Fax: 920-849-2629

### Limited Warranty

**Limited Warranty:** Subject to the limitations set forth herein, M-B Companies, Inc. of Wisconsin ("M-B") warrants its products to be free from defects in material and workmanship for a period six (6) months from the date of delivery of the product to its original owner, *except that the warranty is twelve (12) months solely for the following products: Pavement Marking Equipment, Wood and Brush Chippers, and Airport Runway Sweepers.* All other products are covered by the six-month warranty. Parts shall have a ninety (90) day warranty. This warranty is not transferable without the written consent of M-B.

**Notice:** M-B's obligations under this Limited Warranty are conditioned on M-B receiving, within the warranty period, written notice from Buyer specifying the nature of any alleged defect and requesting corrective action by Seller.

**Remedies:** M-B, at its option, will repair or replace, or provide a credit to Buyer for, defective warranted items. If requested by M-B, products or parts for which a warranty claim is made shall be returned, transportation prepaid, to M-B's factory. Buyer shall not return any product for repair, replacement or credit without M-B's advance written consent.

**Other Manufacturer's Warranty:** On products furnished by M-B, but manufactured by any other manufacturer, the warranty of said manufacturer, if any, will be assigned to Buyer, if the said warranty is assignable. However, M-B does not represent or guarantee that such manufacturer will comply with any of the terms of the warranty of such manufacturer.

**Exclusions:** Any improper use, operation beyond capacity, or substitution of parts not approved by M-B, or alteration or repair by others in such a manner as in M-B's judgment materially and/or adversely affects the product shall void this warranty. This warranty does not apply to defects caused by damage or unreasonable use while in the possession of the owner, including but not limited to: failure to provide reasonable and necessary maintenance, normal wear, routine tune-ups or adjustments, improper handling or accidents, operation at speed or load conditions contrary to published specifications, improper or insufficient lubrication, or improper storage.

Seller manufactures power brooms that mount to many makes and models of equipment. Seller attempts to ensure that the mounting frames fit correctly. However, the large number of tractor models, types and options currently available, compounded by frequent manufacturer design changes, may prevent Seller from supplying a frame that fits every unit correctly. Therefore, unless Buyer supplies drawings which detail the attachment points on the specific unit to which the broom will be mounted, Seller will not be responsible for the fit of the mounting frame.

The batteries, tires, rubber materials, brushes and material normally consumed in operation, and major components such as engines, air compressors, and hydraulic pumps and motors are excluded from this warranty but may be covered to the extent of any warranty received by M-B from its supplier if permitted by the terms of such warranty.

**Limitations of liability:** M-B shall not be liable for any incidental, consequential, punitive or special damages of any kind, including, but not limited to, consequential labor costs or transportation charges in connection with the repair or replacement of defective parts, or lost time or lost profits or expense which may have accrued because of said defect.

M-B disclaims all other warranties, whether express or implied, including but not limited to any implied warranty of merchantability or fitness for a particular purpose. This warranty is the exclusive remedy of buyer. This warranty cannot be extended, broadened or changed in any respect except in writing by an authorized officer of M-B.

Notwithstanding anything in this warranty to the contrary, in no event shall M-B's total liability hereunder exceed the purchased price of the particular product.