

DIST	COUNTY	ROUTE	KP (PM) TOTAL PROJECT	SHEET No	TOTAL SHEETS
03	SAC/YOL	0275	20.94 (13.01)		

REGISTERED CIVIL ENGINEER

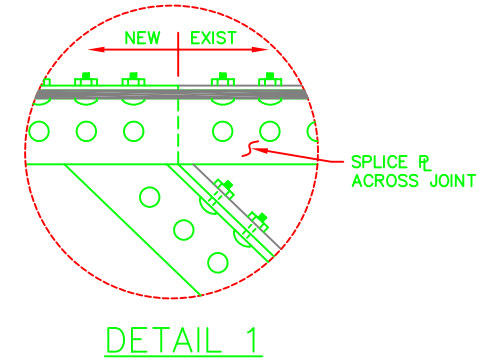
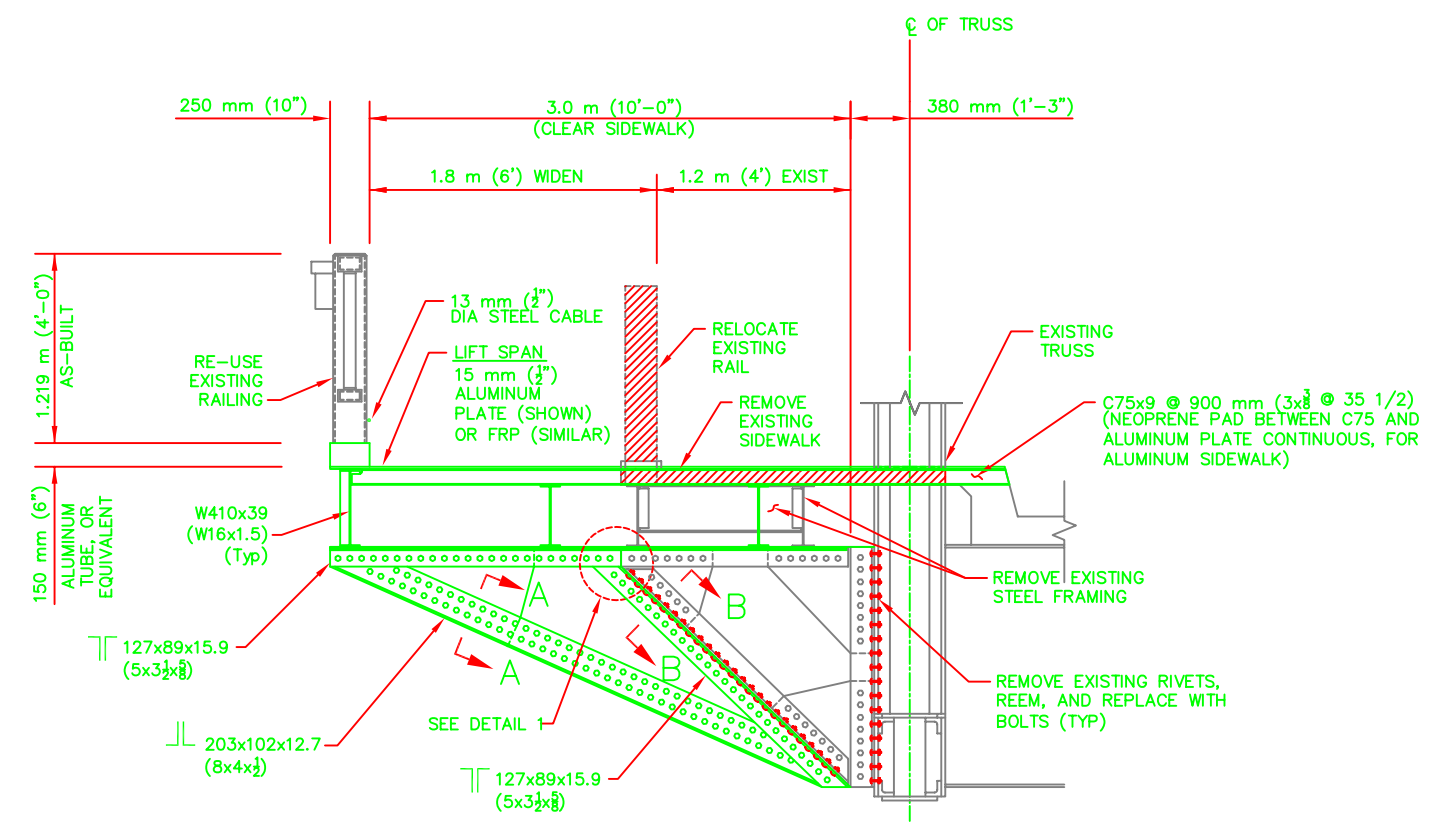
PLANS APPROVAL DATE

The State of California or its officers or agents shall not be responsible for the accuracy or completeness of electronic copies of this plan sheet.

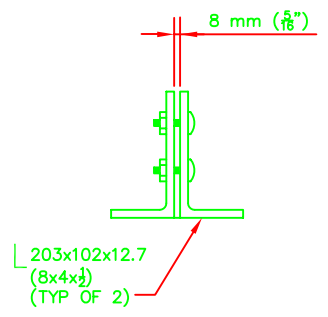


City of Sacramento Department of Transportation  
927 10th Street, Suite 300  
Sacramento, CA 95814

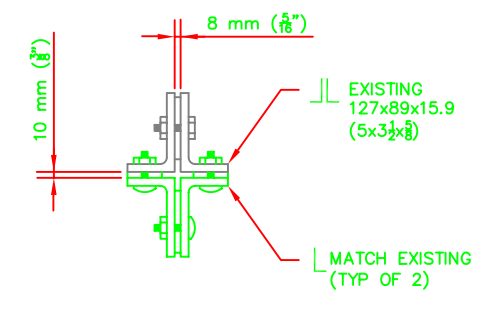
Parsons Brinckerhoff Quade & Douglas, Inc.  
3840 Rosin Court, Suite 200  
Sacramento, CA 95834



**WIDENING OF LIFT SPAN**  
REMOVE EXISTING SIDEWALK AND REPLACE WITH ALUMINUM (SHOWN) OR FRP (SIMILAR) DECK; PRESERVE EXISTING SUPPORT AS SHOWN ABOVE AND ADD ADDITIONAL SUPPORT  
SCALE (APPROX.) 1:50  
(1/4" = 1'-0")



SECTION A-A



SECTION B-B

DUAL UNITS IN MILLIMETER (INCHES) UNLESS OTHERWISE SHOWN.  
APPROXIMATE METRIC EQUIVALENT DIMENSIONS ARE SHOWN.

DESIGN OVERSIGHT

SIGN OFF DATE

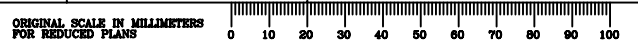
DESIGN DETAIL SHEET (METRIC) (REV. 3/1/98)

DESIGN	BY A Wahidi	CHECKED R Cermak
DETAILS	BY K King	CHECKED
QUANTITIES	BY	CHECKED

PREPARED FOR THE  
STATE OF CALIFORNIA  
DEPARTMENT OF TRANSPORTATION

Farid Nobari  
PROJECT ENGINEER

BRIDGE NO.	22-0021	TOWER BRIDGE PEDESTRIAN/BICYCLE IMPROVEMENTS PROJECT
KP (PM)	20.94 (13.01)	FIGURE 2
CU 03 EA OC9700	DISREGARD PRINTS BEARING EARLIER REVISION DATES	REVISION DATES (PRELIMINARY STAGE ONLY)



0	10	20	30	40	50	60	70	80	90	100
---	----	----	----	----	----	----	----	----	----	-----

FILE => \$REQUEST

project\_report\_figures-final2-3-4-05\liftspan\_widen\_metric.dwg

USERNAME => \$USER DATE PLOTTED => \$DATE TIME PLOTTED => \$TIME