

DIST	COUNTY	ROUTE	KP (PM) TOTAL PROJECT	SHEET No	TOTAL SHEETS
03	SAC/YOL	0275	20.94 (13.01)		

REGISTERED CIVIL ENGINEER

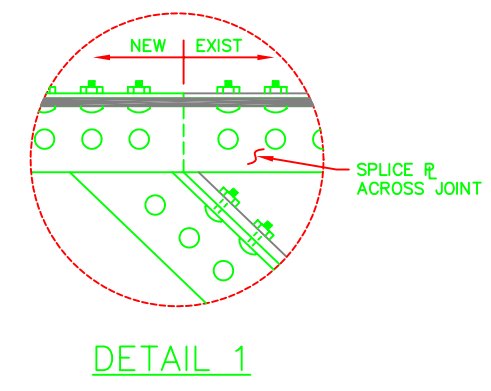
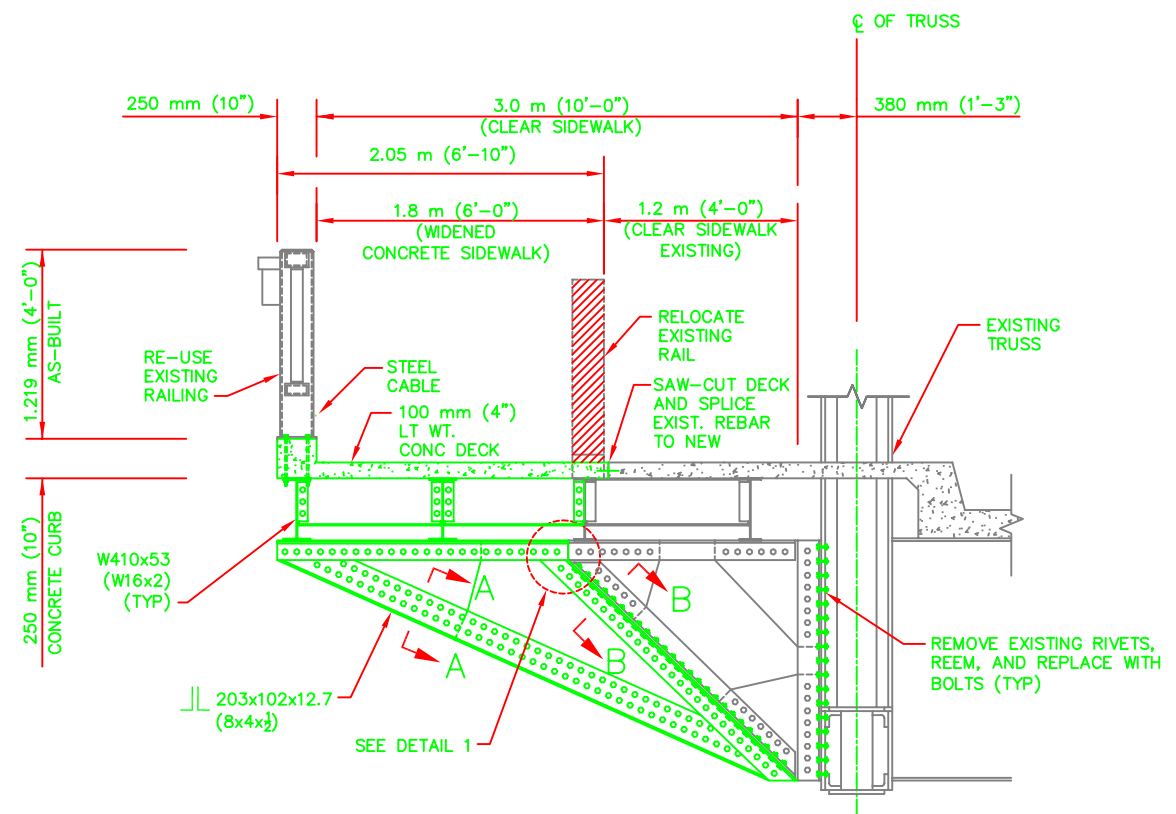
PLANS APPROVAL DATE

The State of California or its officers or agents shall not be responsible for the accuracy or completeness of electronic copies of this plan sheet.



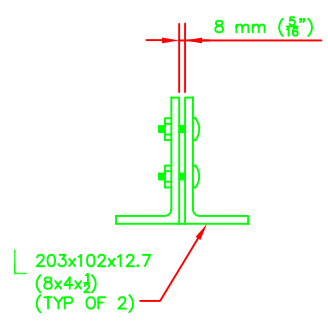
City of Sacramento Department of Transportation
927 10th Street, Suite 300
Sacramento, CA 95814

Parsons Brinckerhoff Quade & Douglas, Inc.
3840 Rosin Court, Suite 200
Sacramento, CA 95834

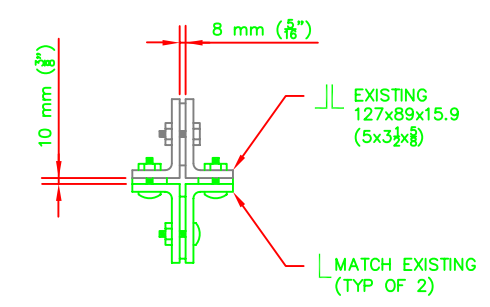


WIDENING OF FIXED TRUSS SPAN

PRESERVE EXISTING SIDEWALK AND SUPPORT;
ADD SIDEWALK EXTENSION AND ADD SUPPORT
SCALE (APPROX.) 1:50
(1/4" = 1'-0")



SECTION A-A



SECTION B-B

DUAL UNITS IN MILLIMETER (INCHES) UNLESS OTHERWISE SHOWN.
APPROXIMATE METRIC EQUIVALENT DIMENSIONS ARE SHOWN.

DESIGN OVERSIGHT

SIGN OFF DATE

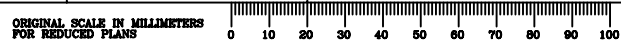
DESIGN DETAIL SHEET (METRIC) (REV. 3/1/98)

DESIGN	BY A Wahidi	CHECKED R Cermak
DETAILS	BY K King	CHECKED
QUANTITIES	BY	CHECKED

PREPARED FOR THE
STATE OF CALIFORNIA
DEPARTMENT OF TRANSPORTATION

Farid Nobari
PROJECT ENGINEER

BRIDGE NO.	22-0021	TOWER BRIDGE PEDESTRIAN/BICYCLE IMPROVEMENTS PROJECT
KP (PM)	20.94 (13.01)	
FIGURE 3		
CU 03 EA OC9700	DISREGARD PRINTS BEARING EARLIER REVISION DATES	REVISION DATES (PRELIMINARY STAGE ONLY)
FILE => \$REQUEST		SHEET OF



project report figures-final2-3-4-05\wideningsections_metric.dwg

TIME PLOTTED => \$TIME USERNAME => \$USER DATE PLOTTED => \$DATE