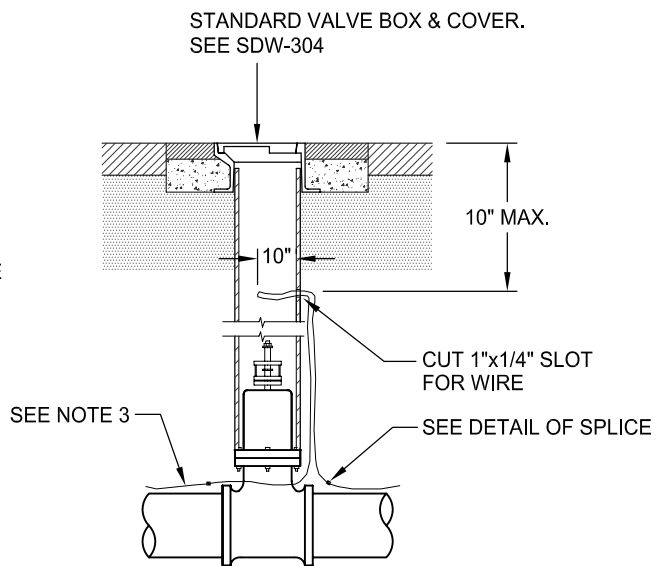
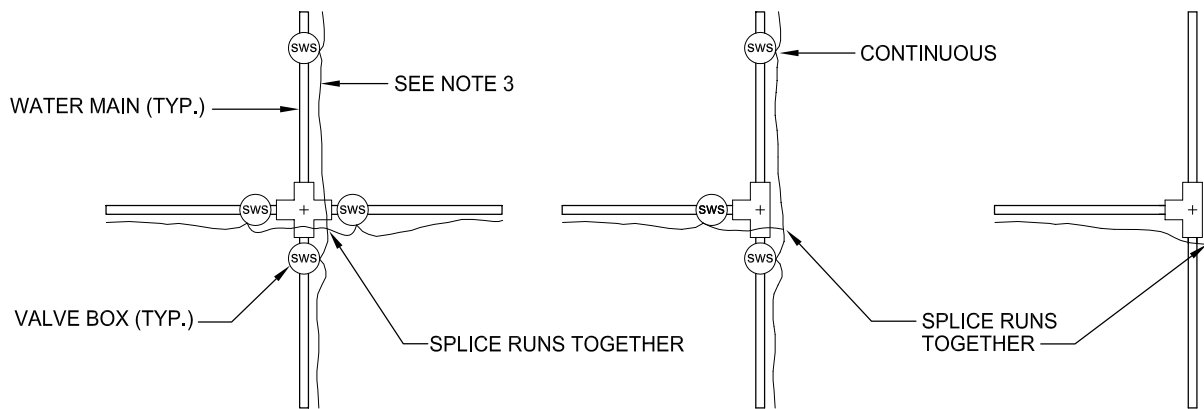


DETAIL OF SPLICE



INSTALLATION AT VALVE BOX



TYPICAL PLACING AT MAIN INTERSECTIONS

NOTES:

1. WIRE TO BE CONTINUOUS BETWEEN VALVE BOXES.
2. TRACER/LOCATOR WIRE TO BE TAPED TO TOP OF PIPE.
3. SOLID NO. 10 COPPER WIRE INSULATED WITH HIGH MOLECULAR WEIGHT POLYETHYLENE (HMWPE) - BLUE COLOR ONLY. (FOR DIRECT BURIAL USE ONLY)

REV.	DATE	DESCRIPTION
△		
△		
△		