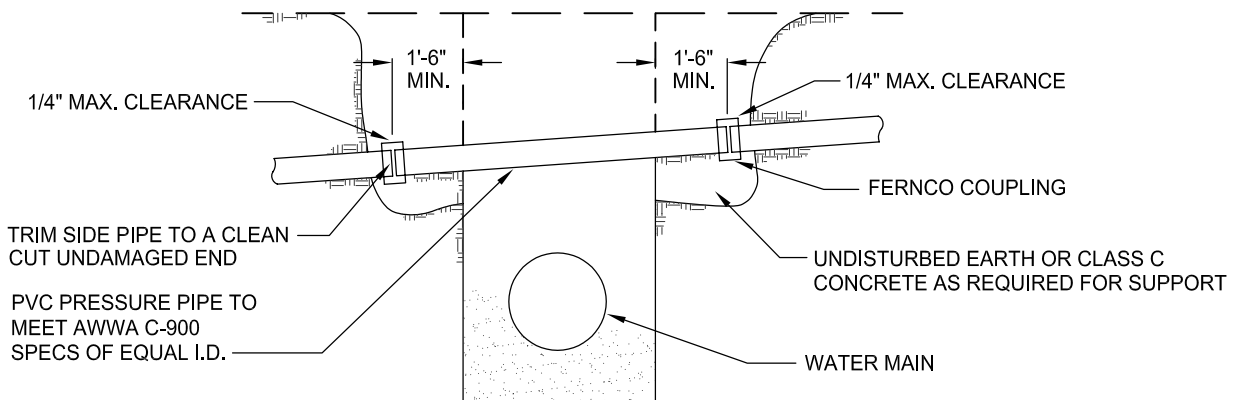


SECTION ALONG PIPE



SECTION ACROSS PIPE

NOTES:

1. CONTACT CUSTOMER SERVICE @ 808-5371 FOR ALL LATERAL OR MAIN LINE BREAKS.
2. ALTERATION OF SEWER GRADES WILL BE PERMITTED ONLY AFTER PERMISSION HAS BEEN RECEIVED FROM THE ENGINEER.

REV.	DATE	DESCRIPTION
△		
△		
△		

CITY OF SACRAMENTO
DEPARTMENT OF UTILITIES

**BACKFILL & REPAIR AT SEWER
& DRAIN UTILITY CROSSING**

APPR'D BY: *DOB* NO SCALE
DATE: MAY 2007 DWG. NO. **W - 104**