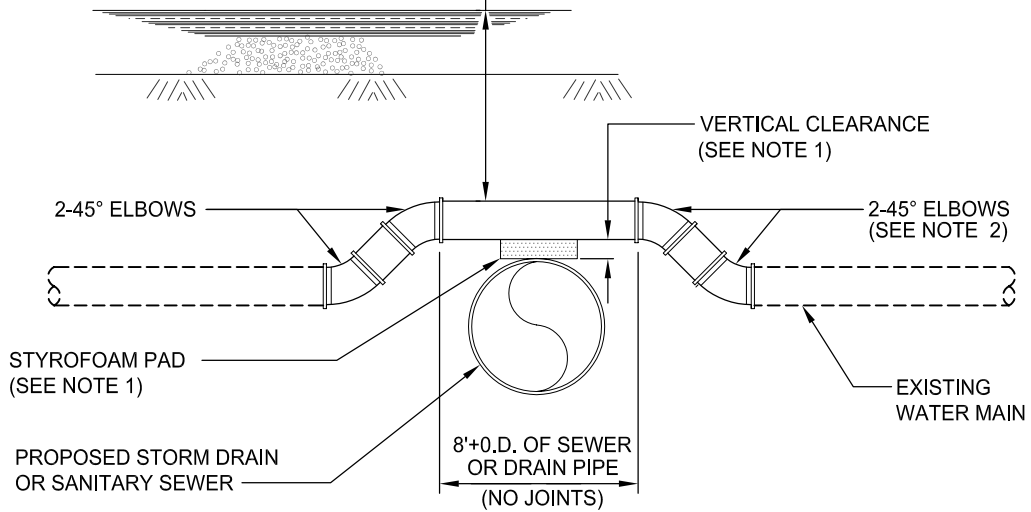
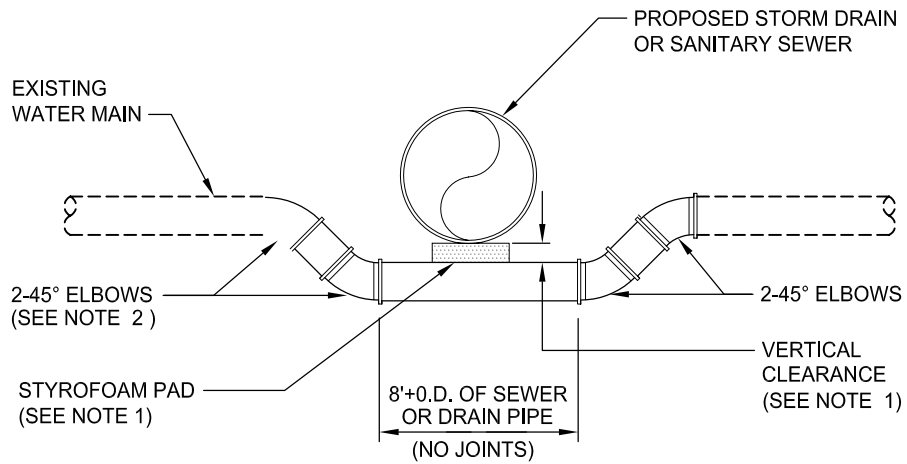


MINIMUM DEPTH OF COVER FROM PAVEMENT SURFACE SHALL BE 36" UNLESS APPROVED BY THE ENGINEER. IF COVER IS LESS THAN 36", THEN MAIN MATERIAL SHALL BE DUCTILE IRON AND THE MINIMUM DEPTH OF COVER SHALL BE PER THE PIPE MANUFACTURER'S RECOMMENDATIONS.



**RAISE WATER MAIN**



**LOWER WATER MAIN**

**RAISING AND LOWERING EXISTING WATER MAINS**

**NOTES**

1. STYROFOAM PAD SHALL BE 18" SQUARE.  
REQUIRED MINIMUM VERTICAL CLEARANCES:  
6" FOR STORM DRAINS  
12" FOR SANITARY SEWERS
2. THRUST BLOCKS OR JOINT HARNESSSES FOR RESTRAINING JOINTS NOT SHOWN.
3. NO WATER SERVICES ALLOWED ALONG THE RAISED OR LOWERED LENGTH OF WATER MAIN.

REV.	DATE	DESCRIPTION
1		
2		
3		

R:\Utilstods\City\_Std\_Details\Water\_Uilities\W-106