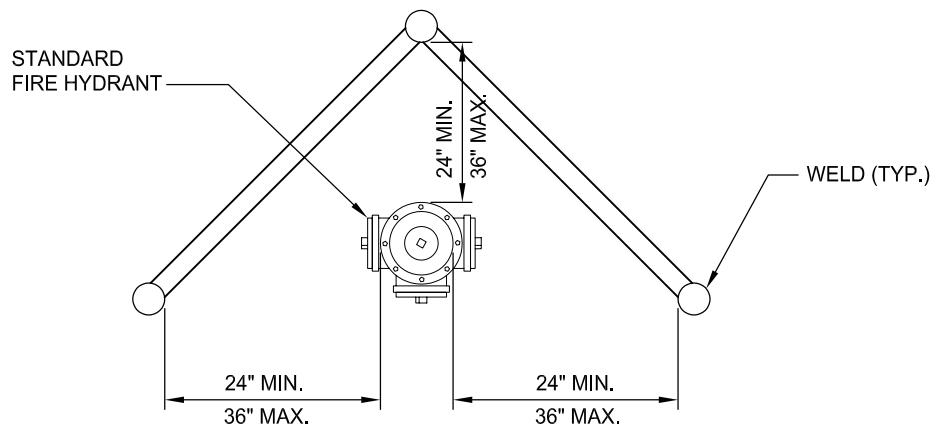


ELEVATION



PLAN

NOTES:

1. TO BE INSTALLED ONLY IN WARRANTED AREAS, i.e. PARKING LOTS, HEAVY TRAFFIC AREAS, ETC.
2. 4 INCH PIPES TO BE POURED FULL OF CONCRETE. TOP OF PIPE FINISHED OFF.
3. NO TOP BRACE AT PUMPER OUTLET.
4. EXPOSED STEEL PIPE TO BE PAINTED WITH 2 COATS OF RUST-OLEUM PROFESSIONAL OIL BASED ENAMEL ALUMINUM (#7715) OR EQUAL. PRIMER AND METAL PREPARATION AS SPECIFIED BY MANUFACTURER.

REV.	DATE	DESCRIPTION
1		

APPR'D BY: *DOB* NO SCALE
 DATE: MAY 2007 DWG. NO. **W - 202**

CITY OF SACRAMENTO
 DEPARTMENT OF UTILITIES

FIRE HYDRANT
 PROTECTION