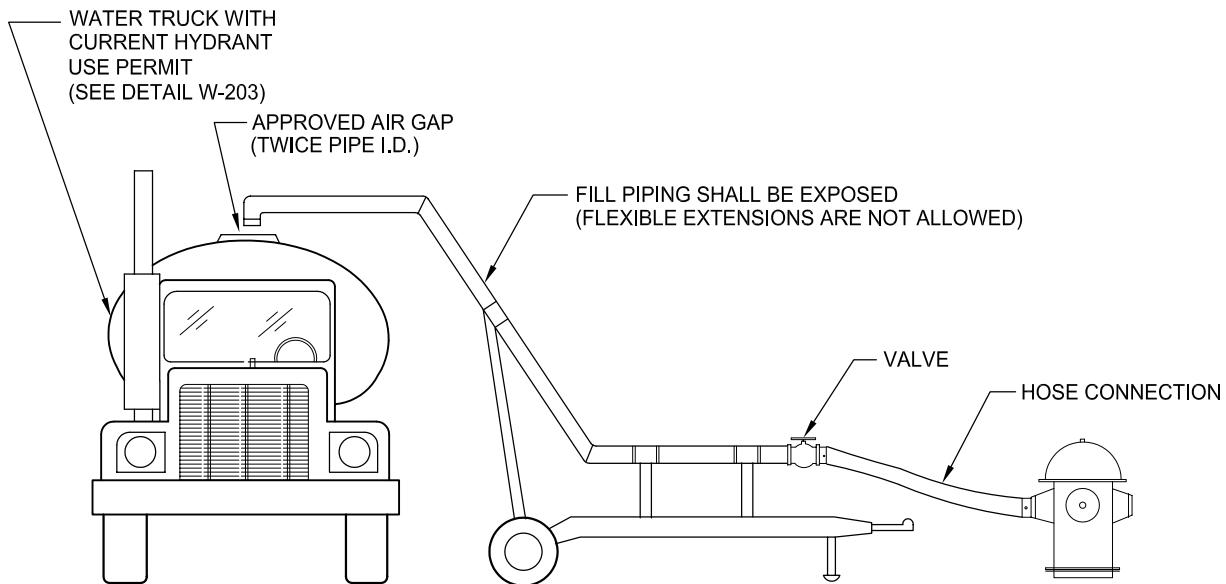


PORTABLE WATER TANK



PORTABLE WATER LOADING DEVICE

NOTES:

1. PORTABLE WATER TRUCK FILL STATIONS SHALL BE INSPECTED ANUALLY BY THE DEPARTMENT OF UTILITIES PRIOR TO THEIR USE.
2. ALTERNATIVE WATER TRUCK FILL STATIONS SHALL BE SUBMITTED TO THE DEPARTMENT OF UTILITIES PRIOR TO USE.
3. ONLY WATER TRUCKS WITH CURRENT PERMIT STICKER SHALL BE ALLOWED TO FILL AT PORTABLE WATER TRUCK STATIONS.
4. LOCATION OF PORTABLE WATER TRUCK FILL STATIONS BE SITE SPECIFIC.
5. NO HOSES SHALL BE LAID ACROSS STREETS OR TRAFFIC AREAS.

REV.	DATE	DESCRIPTION
1		