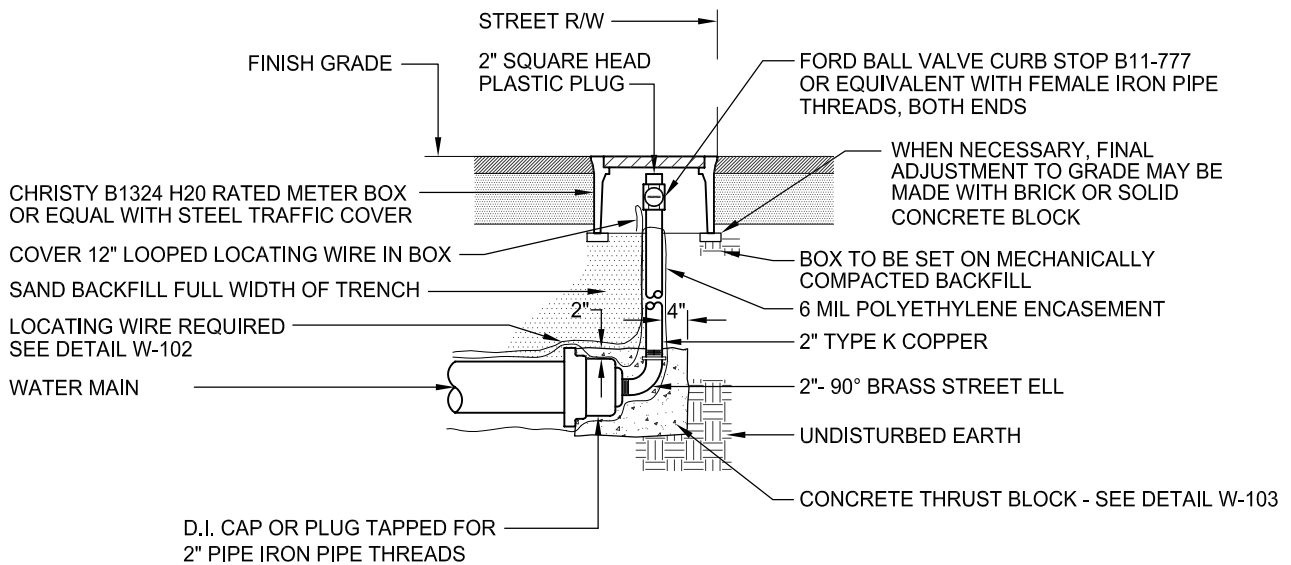


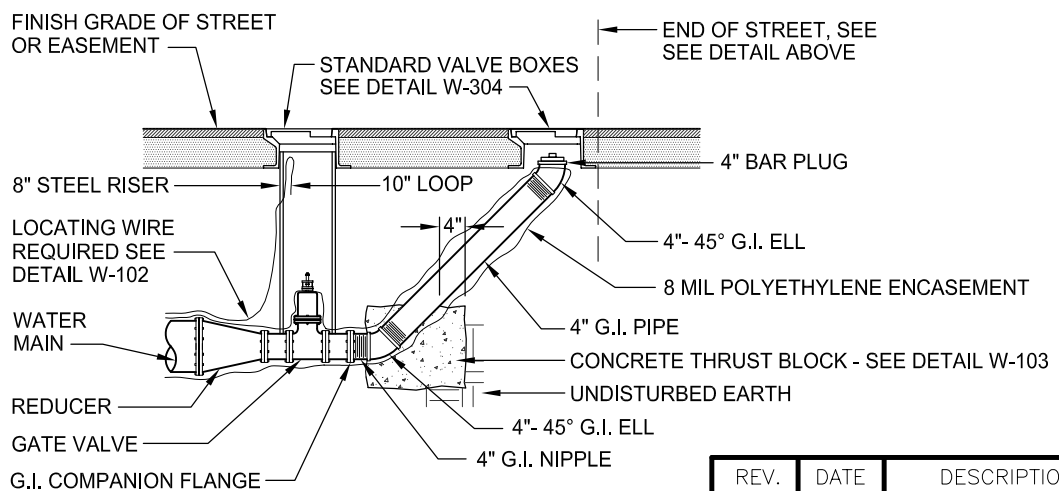
**2" BLOW-OFF TYPICAL
INSTALLATION IN CUL-DE-SAC**

PLAN

**2" AND 4" BLOW-OFF
TYPICAL FOR END OF STREET**



**ELEVATION
STANDARD 2" BLOW-OFF**



**ELEVATION
STANDARD 4" BLOW-OFF**

REV.	DATE	DESCRIPTION