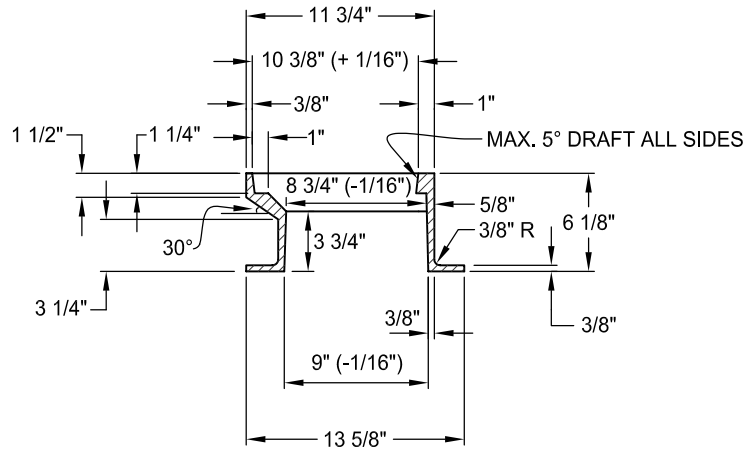
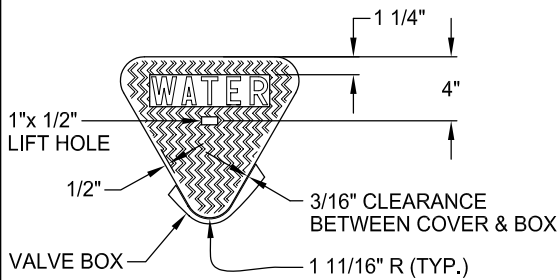


PLAN

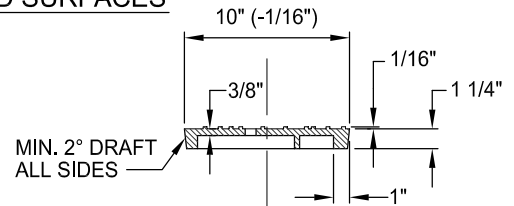


SECTION A-A

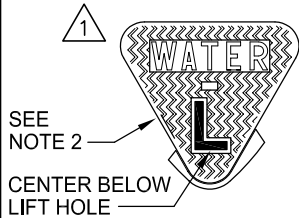
VALVE BOX FOR STREETS AND PAVED SURFACES



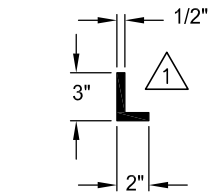
PLAN



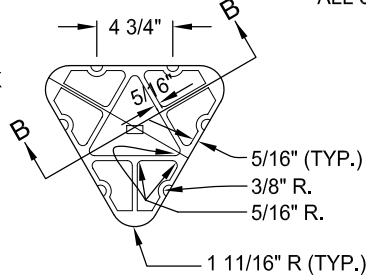
SECTION B-B



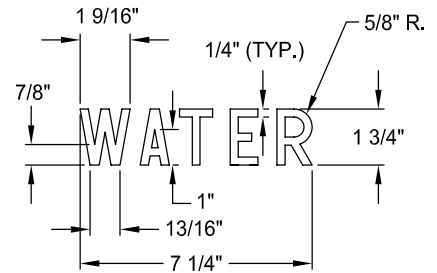
PLAN



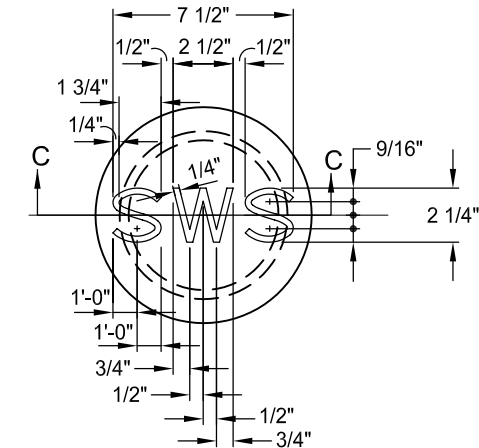
LETTER "L" ON COVER



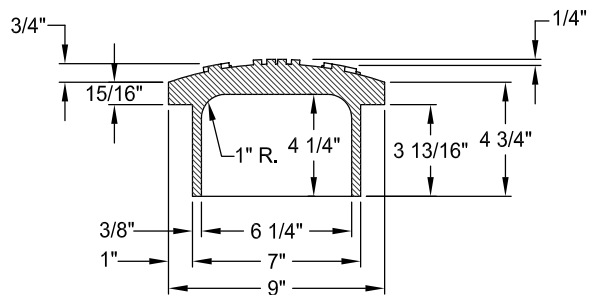
VALVE BOX COVER



LETTERS ON COVER



PLAN & LETTERS ON TOP OF DROP CAP



SECTION C-C

DROP CAP FOR PUBLIC UTILITY EASEMENTS

NOTE:

1. VALVE BOX, VALVE BOX COVER AND DROP CAP SHALL BE CONSTRUCTED OF CAST IRON WITH MINIMUM TENSILE STRENGTH OF 25,000 P.S.I.
2. VALVE COVER WITH "L" DESIGNATION SHALL BE USED FOR NEW VALVE INSTALLATION SOUTH OF THE AMERICAN RIVER.

REV.	DATE	DESCRIPTION
1	09-29-09	LETTER "L" ADDED