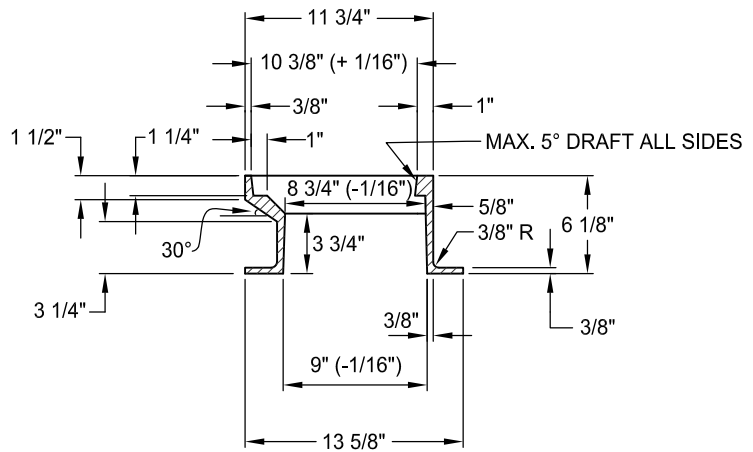
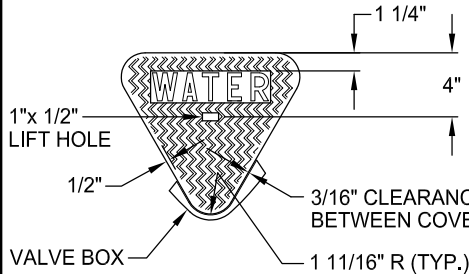


PLAN

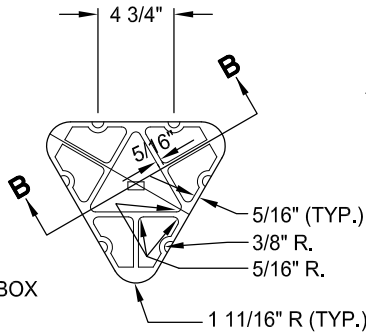


SECTION A-A

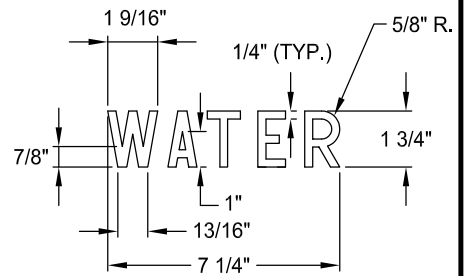
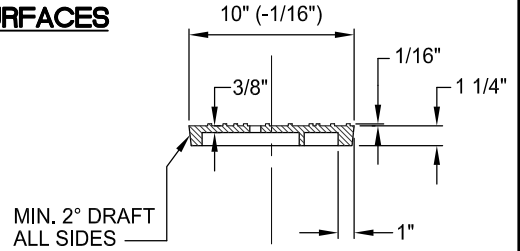
VALVE BOX FOR STREETS AND PAVED SURFACES



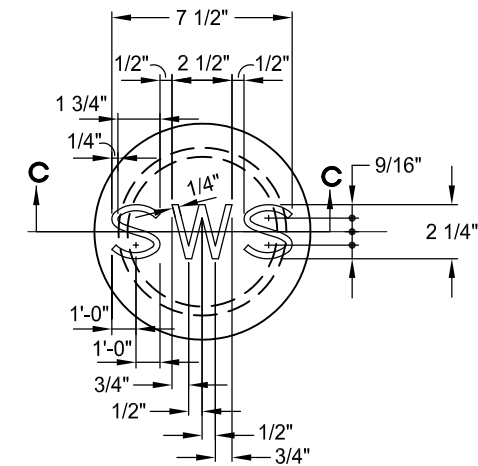
PLAN



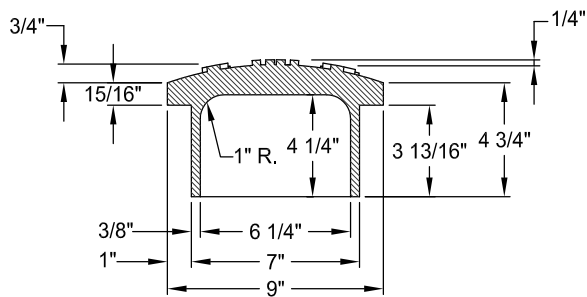
VALVE BOX COVER



LETTERS ON COVER



PLAN & LETTERS ON TOP OF DROP CAP



SECTION C-C

DROP CAP FOR PUBLIC UTILITY EASEMENTS

NOTE:

1. VALVE BOX, VALVE BOX COVER AND DROP CAP SHALL BE CONSTRUCTED OF CAST IRON WITH MINIMUM TENSILE STRENGTH OF 25,000 P.S.I.

REV.	DATE	1	DESCRIPTION

R:\Utilities\WATER\SDDrawings\2004\ID-main\Details\Drawgs\W-304