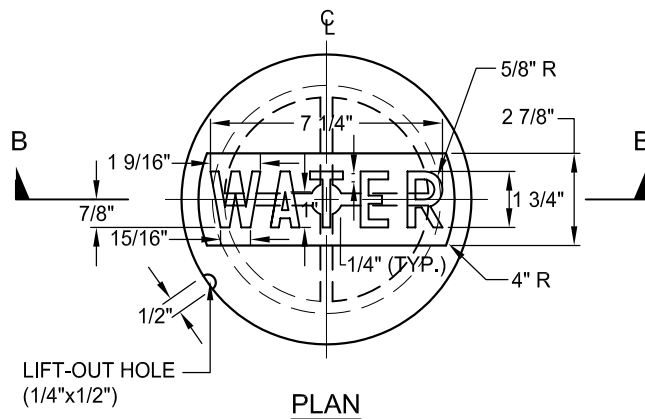
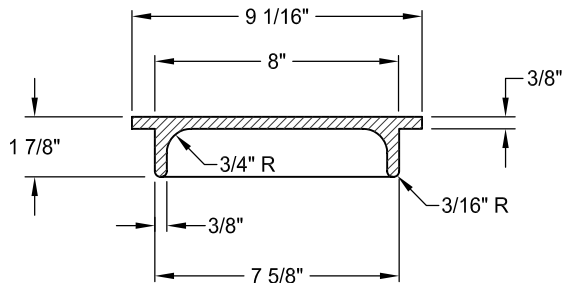


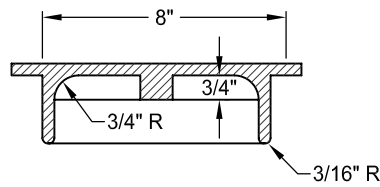
PLAN



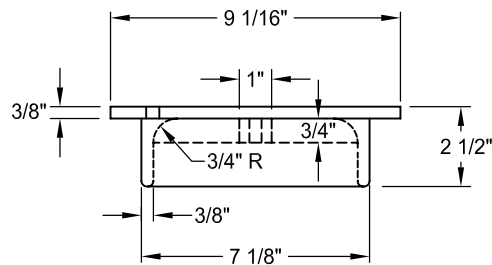
PLAN



SECTION A-A



SECTION B-B

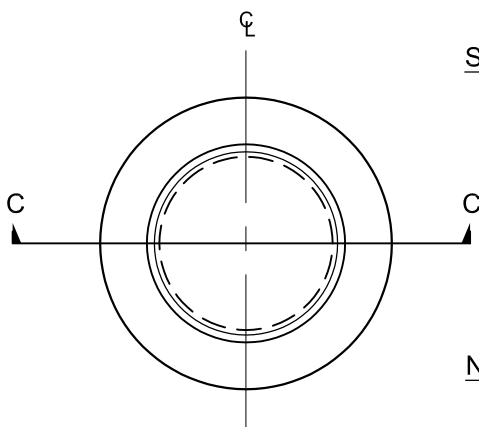


ELEVATION

**NOTE:**

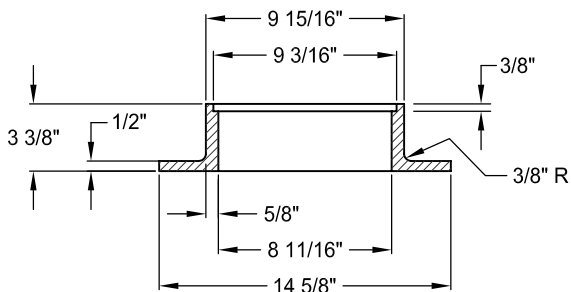
VALVE BOX COVER SHALL BE CONSTRUCTED OF DUCTILE IRON OR CAST IRON WITH MINIMUM TENSILE STRENGTH OF 25,000 P.S.I.

**SERVICE BOX COVERS**



**NOTE:**

VALVE BOX SHALL BE CONSTRUCTED OF CAST IRON WITH MINIMUM TENSILE STRENGTH OF 25,000 P.S.I.



SECTION C-C  
SERVICE BOX

REV.	DATE	DESCRIPTION

R:\Utilstnds\City\_Std\_Details\Water\_Uilities\W-307