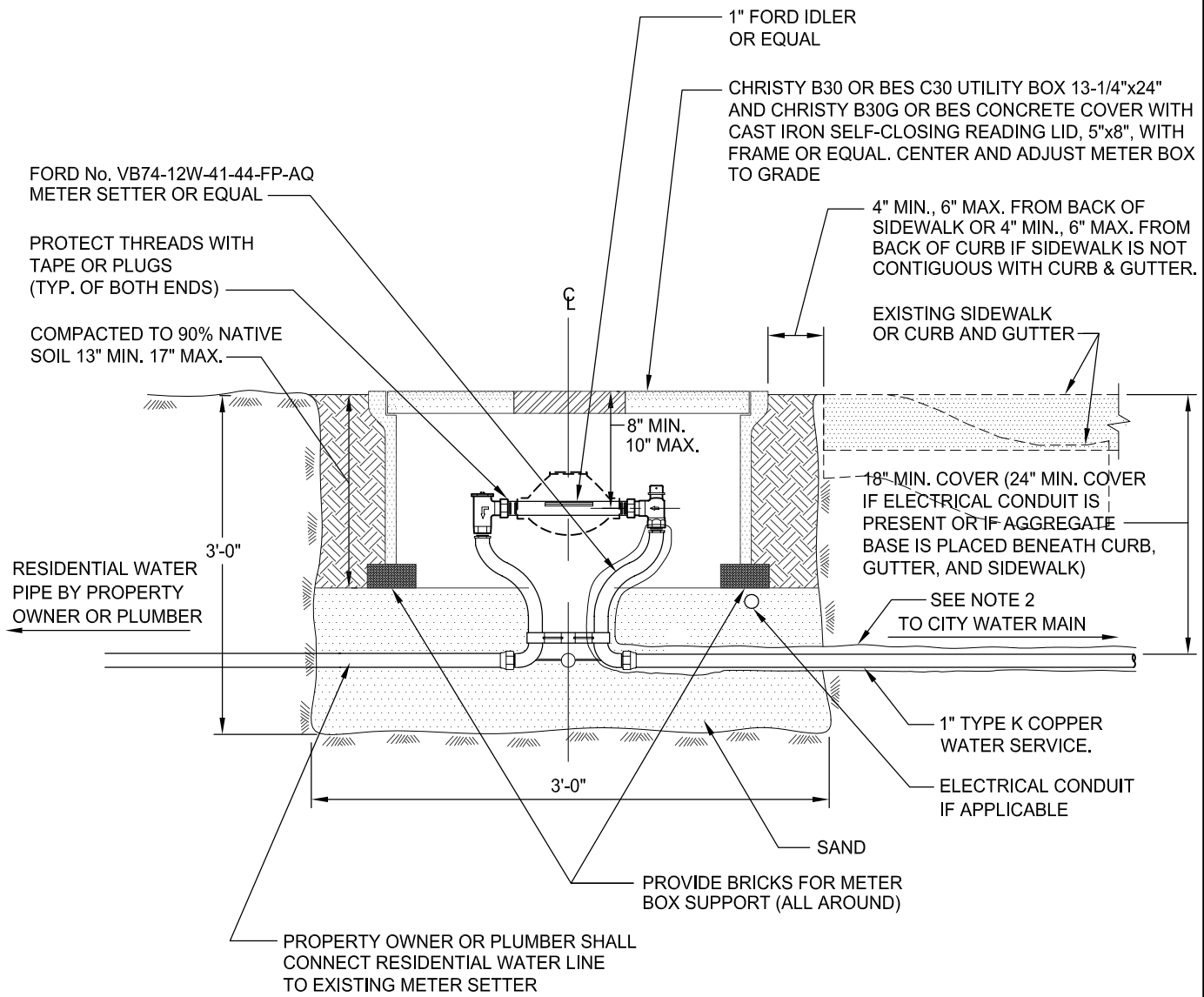


R:\Utilstds\City\_Std\_Details\Water\_Uilities\W-402



**NOTE:**

1. CITY FORCES WILL FURNISH AND INSTALL WATER METER AFTER PLUMBING PERMIT HAS BEEN ISSUED, RESIDENCE HAS PASSED FINAL BUILDING INSPECTION, AND METER FEES HAVE BEEN PAID. WATER METER MUST BE INSTALLED BEFORE FINAL OCCUPANCY IS GRANTED. PROPERTY OWNER OR PLUMBER TO CONNECT TO CITY WATER SERVICE.
2. 6 MIL POLYETHYLENE WRAP WITH 10 MIL TAPE SHALL BE REQUIRED.
3. FOR TRAFFIC OR ALLEY INSTALLATIONS, UTILITY BOX SHALL BE CHRISTY B1324 BOX H20 LOADING WITH B1324-61GH STEEL CHECKER PLATE COVER WITH READING LID 5"x8"

**INSTALLATION OF RESIDENTIAL WATER  
METER SETTER AND METER BOX**

REV.	DATE	DESCRIPTION

**CITY OF SACRAMENTO  
DEPARTMENT OF UTILITIES**

**INSTALLATION OF RESIDENTIAL  
WATER METER SETTER & BOX**

APPR'D BY: *DOB* NO SCALE  
DATE: MAY 2007 DWG. NO. **W - 402**