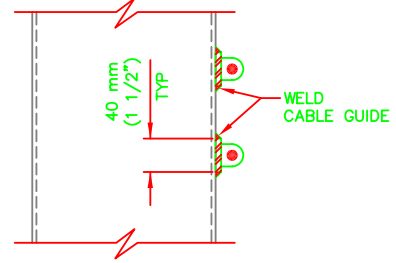
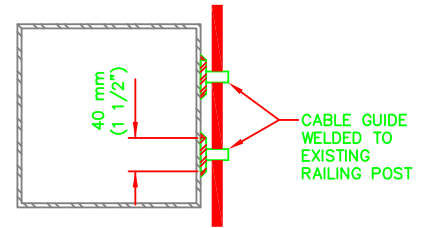


**SECTION**  
SCALE (Approx.) 1:25  
(1/2" = 1'-0")

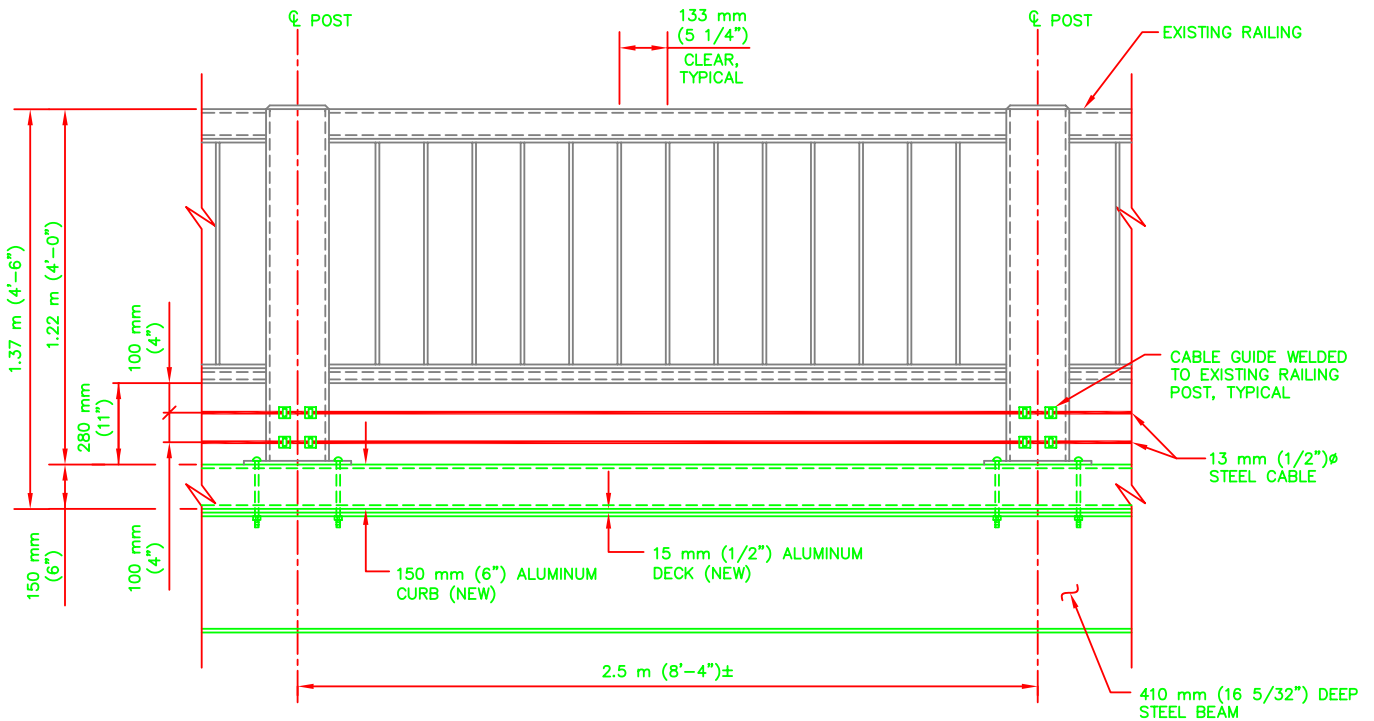


**ELEVATION VIEW**  
SCALE (Approx.) 1:5  
(1 1/2" = 1'-0")



**PLAN VIEW**  
SCALE (Approx.) 1:5  
(1 1/2" = 1'-0")

NOTE: CABLES COULD BE ATTACHED ON INSIDE OR OUTSIDE EDGE OF RAILING.



**LIFT SPAN TYPICAL RAILING**  
SCALE (Approx.) 1:25  
(1/2" = 1'-0")

**Figure 4**  
**Plan and Profile of Western Approach Spans, Proposed Project—No Gap**

RAILING\_WELDED\_1103.DWG  
00495.00-001 EAVEIR (6-10-04)

**CITY OF SACRAMENTO**  
**DEPARTMENT OF TRANSPORTATION**



3840 ROSIN COURT, SUITE 200  
SACRAMENTO, CALIFORNIA 95834  
PHONE: (916) 567-2500  
**PARSONS BRINCKERHOFF**

DRAWN BY: TKB  
DATE: 1/7/02

DESIGNED BY: SAW  
DATE: 1/7/02

CHECKED BY: \_\_\_\_\_  
DATE: \_\_\_\_\_