

# EXITING

---

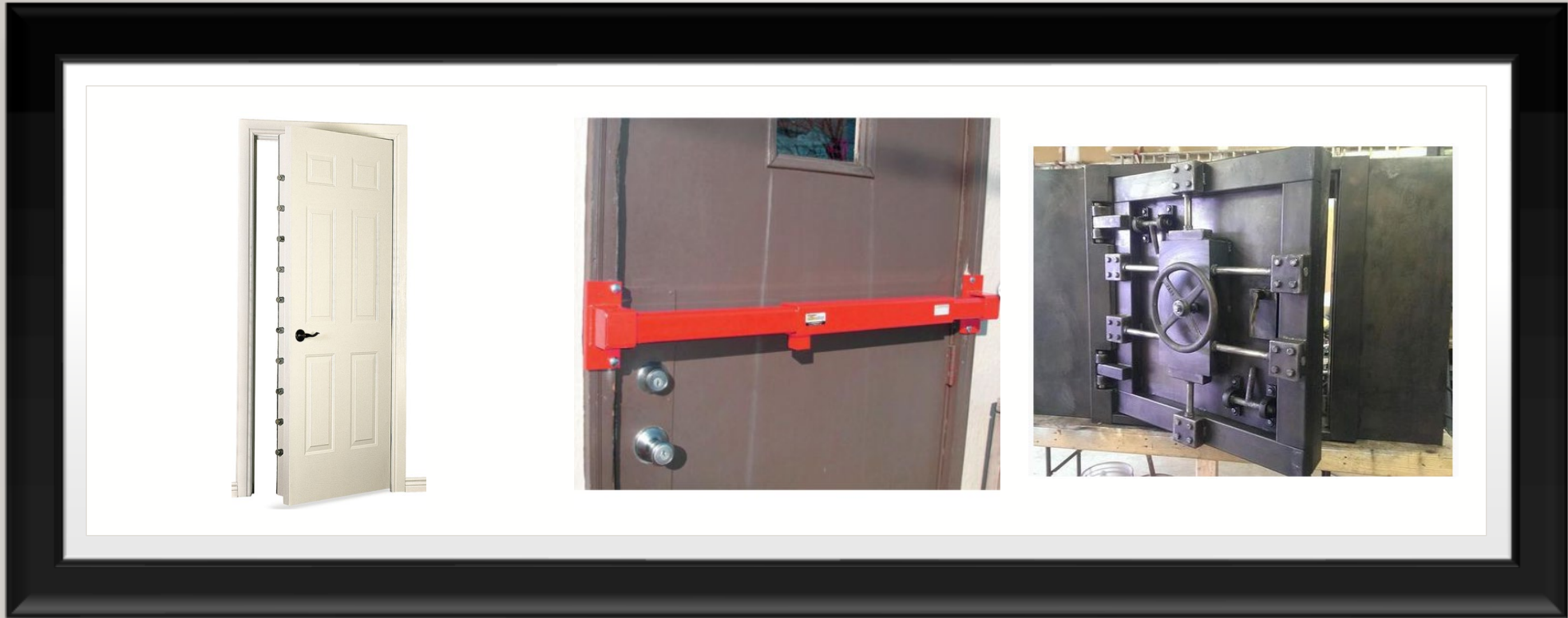
SACRAMENTO FIRE

**\*\* The shackle padlocks should be locked and secured nearby, to the wall, during business hours.**



1010.1.3 Door Opening Force  
doors shall not exceed 5 pounds to open interior  
doors. The forces to operate door hardware shall not  
exceed 15 pounds of force, 30 pounds to set in motion  
and 15 pounds to full open"

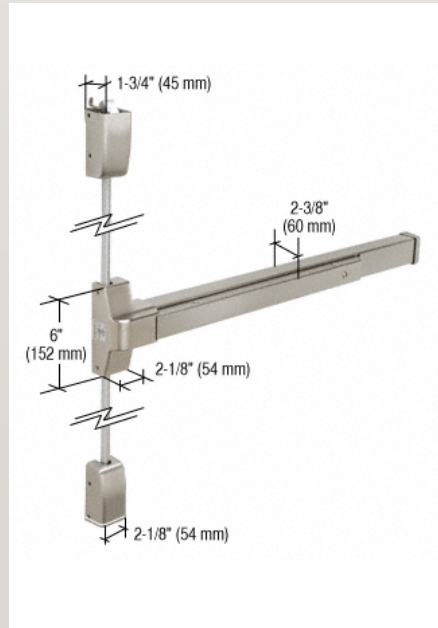
.



**NOT ACCEPTABLE**

---

# ACCEPTABLE



"Exiting and security are not as incompatible as it seems. Please contact us with any questions before making any changes to your building“.

[codeenforcement@sfd.cityofsacramento.org](mailto:codeenforcement@sfd.cityofsacramento.org)